

P25Q40H/20H/10H/05H-Q

Ultra Low Power, 4M/2M/1M/512K-bit
Serial Multi I/O Flash Memory Datasheet

Oct. 27, 2021

Performance Highlight

- ◆ *Wide Supply Range from 2.3 to 3.6V for Read, Erase and Program*
- ◆ *Ultra Low Power consumption for Read, Erase and Program*
- ◆ *X1, X2 and X4 Multi I/O Support*
- ◆ *High reliability with 100K cycling and 20 Year-retention*



Puya Semiconductor (Shanghai) Co., Ltd

Contents

| | | |
|-------|--|----|
| 1 | Overview..... | 4 |
| 2 | Description..... | 5 |
| 3 | Pin Definition | 6 |
| 3.1 | Pin Configurations | 6 |
| 3.2 | Pin Descriptions..... | 6 |
| 4 | Block Diagram | 7 |
| 5 | Electrical Specifications..... | 8 |
| 5.1 | Absolute Maximum Ratings..... | 8 |
| 5.2 | DC Characteristics..... | 9 |
| 5.3 | AC Characteristics..... | 10 |
| 5.4 | AC Characteristics for Program and Erase | 11 |
| 5.5 | Operation Conditions | 13 |
| 6 | Data Protection..... | 15 |
| 7 | Memory Address Mapping..... | 20 |
| 8 | Device Operation..... | 22 |
| 9 | Hold Feature..... | 23 |
| 10 | Commands | 24 |
| 10.1 | Commands listing | 24 |
| 10.2 | Write Enable (WREN)..... | 26 |
| 10.3 | Write Disable (WRDI)..... | 26 |
| 10.4 | Write Enable for Volatile Status Register | 27 |
| 10.5 | Read Status Register (RDSR)..... | 27 |
| 10.6 | Active Status Interrupt (ASI)..... | 29 |
| 10.7 | Write Status Register (WRSR) | 30 |
| 10.8 | Read Data Bytes (READ)..... | 31 |
| 10.9 | Read Data Bytes at Higher Speed (FAST_READ)..... | 31 |
| 10.10 | Dual Read Mode (DREAD)..... | 32 |
| 10.11 | 2 X IO Read Mode (2READ) | 33 |
| 10.12 | 2 X IO Read Performer Enhance Mode..... | 34 |
| 10.13 | Quad Read Mode (QREAD)..... | 35 |
| 10.14 | 4 X IO Read Mode (4READ) | 36 |
| 10.15 | 4 X IO Read Performance Enhance Mode..... | 37 |
| 10.16 | Burst Read..... | 38 |
| 10.17 | Page Erase (PE)..... | 39 |
| 10.18 | Sector Erase (SE)..... | 39 |
| 10.19 | Block Erase (BE32K)..... | 40 |
| 10.20 | Block Erase (BE)..... | 40 |
| 10.21 | Chip Erase (CE)..... | 41 |
| 10.22 | Page Program (PP) | 41 |
| 10.23 | Dual Input Page Program (DPP) | 42 |
| 10.24 | Quad Page Program (QPP)..... | 43 |
| 10.25 | Erase Security Registers (ERSCUR) | 44 |
| 10.26 | Program Security Registers (PRSCUR)..... | 45 |
| 10.27 | Read Security Registers (RDSCUR)..... | 46 |
| 10.28 | Deep Power-down (DP)..... | 47 |
| 10.29 | Release form Deep Power-Down (RDP), Read Electronic Signature (RES)..... | 48 |
| 10.30 | Read Electronic Manufacturer ID & Device ID (REMS) | 49 |
| 10.31 | Dual I/O Read Electronic Manufacturer ID & Device ID (DREMS) | 50 |
| 10.32 | Quad I/O Read Electronic Manufacturer ID & Device ID (QREMS)..... | 51 |
| 10.33 | Read Identification (RDID)..... | 51 |

| | | |
|-------|---|----|
| 10.34 | Program/Erase Suspend/Resume..... | 53 |
| 10.35 | Erase Suspend to Program | 54 |
| 10.36 | Program Resume and Erase Resume..... | 55 |
| 10.37 | No Operation (NOP) | 55 |
| 10.38 | Software Reset (RSTEN/RST) | 55 |
| 10.39 | Read Unique ID (RUID)..... | 56 |
| 10.40 | Read SFDP Mode (RDSFDP) | 57 |
| 11 | Ordering Information..... | 62 |
| 12 | Valid Part Numbers and Top Marking..... | 63 |
| 13 | Package Information..... | 64 |
| 13.1 | 8-Lead SOP(150mil) | 64 |
| 13.2 | 8-Land USON(3x2x0.55mm) | 65 |
| 14 | Revision History..... | 66 |

1 Overview

General

- **Single 2.30V to 3.60V supply**
- **Industrial Temperature Range -40C to 85C**
- **Serial Peripheral Interface (SPI) Compatible: Mode 0 and Mode 3**
- **Single, Dual and Quad IO mode**
 - 4M/2M/1M/512K x 1 bit
 - 2M/1M/512K/256K x 2 bits
 - 1M/512K/256K/128K x 4 bits
- **Flexible Architecture for Code and Data Storage**
 - Uniform 256-byte Page Program
 - Uniform 256-byte Page Erase
 - Uniform 4K-byte Sector Erase
 - Uniform 32K/64K-byte Block Erase
 - Full Chip Erase
- **Hardware Controlled Locking of Protected Sectors by WP Pin**
- **One Time Programmable (OTP) Security Register**
 - 3*512-Byte Security Registers With OTP Lock
- **128 bit unique ID for each device**
- **Fast Program and Erase Speed**
 - 0.6ms Page program time
 - 8ms Page erase time
 - 8ms 4K-byte sector erase time
 - 8ms 32K-byte block erase time
 - 8ms 64K-byte block erase time
- **JEDEC Standard Manufacturer and Device ID Read Methodology**
- **Ultra Low Power Consumption**
 - 0.6uA Deep Power Down current
 - 9uA Standby current
 - 2.5mA Active Read current at 33MHz
 - 3.0mA Active Program or Erase current
- **High Reliability**
 - 100,000 Program / Erase Cycles
 - 20-year Data Retention
- **Industry Standard Green Package Options**
 - 8-pin SOP8 (150mil)
 - 8-land USON(3x2x0.55mm)
 - KGD for SiP

2 Description

The P25Q40H/20H/10H/05H-Q is a serial interface Flash memory device designed for use in a wide variety of high-volume consumer based applications in which program code is shadowed from Flash memory into embedded or external RAM for execution. The flexible erase architecture of the device, with its page erase granularity it is ideal for data storage as well, eliminating the need for additional data storage devices.

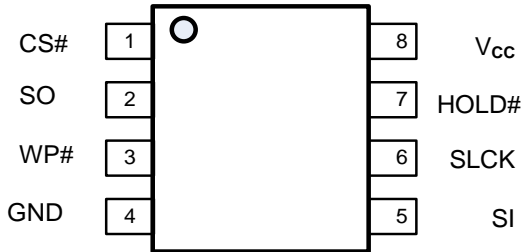
The erase block sizes of the device have been optimized to meet the needs of today's code and data storage applications. By optimizing the size of the erase blocks, the memory space can be used much more efficiently. Because certain code modules and data storage segments must reside by themselves in their own erase regions, the wasted and unused memory space that occurs with large sectored and large block erase Flash memory devices can be greatly reduced. This increased memory space efficiency allows additional code routines and data storage segments to be added while still maintaining the same overall device density.

The device also contains an additional 3*512-byte security registers with OTP lock (One-Time Programmable), can be used for purposes such as unique device serialization, system-level Electronic Serial Number (ESN) storage, locked key storage, etc.

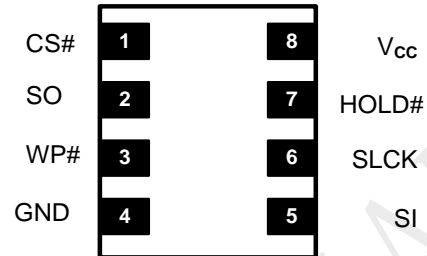
Specifically designed for use in many different systems, the device supports read, program, and erase operations with a wide supply voltage range of 2.3V to 3.6V. No separate voltage is required for programming and erasing.

3 Pin Definition

3.1 Pin Configurations



8-PIN SOP (150mil)

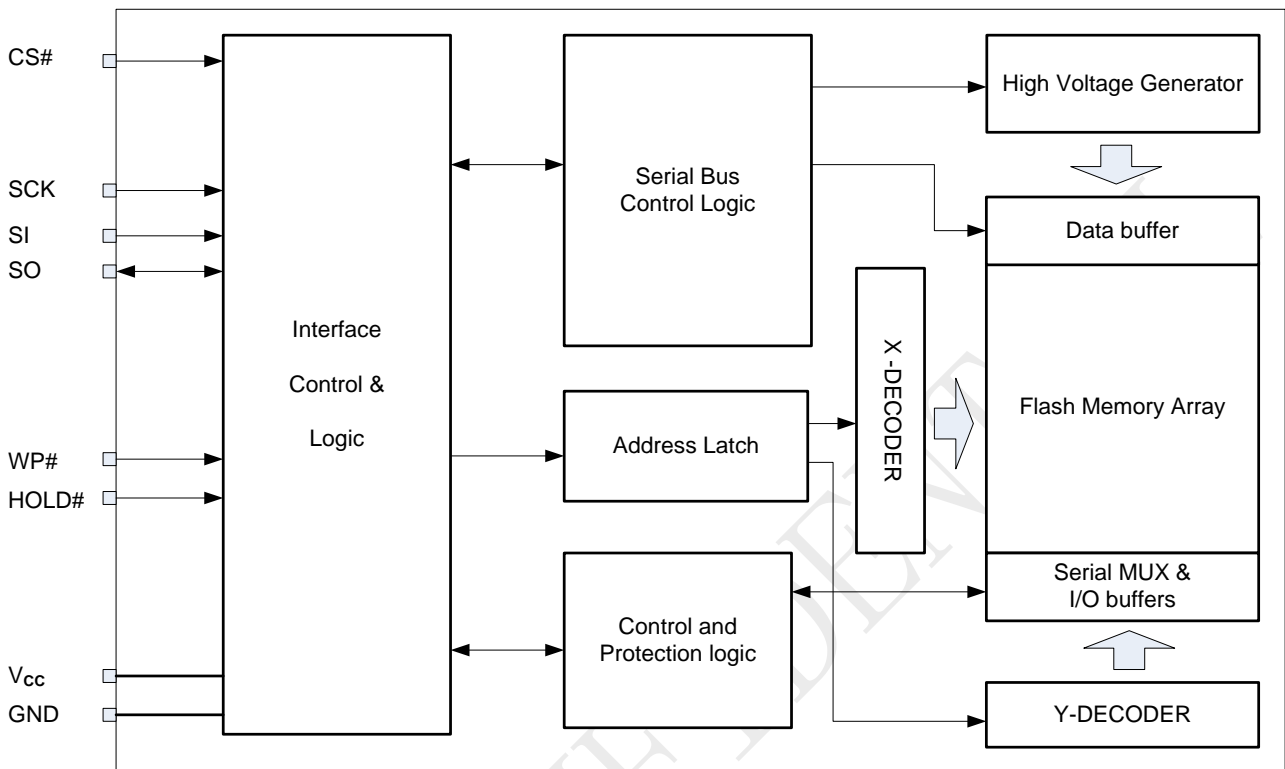


8-Land USON (3x2mm)

3.2 Pin Descriptions

| No. | Symbol | Extension | Remarks |
|-----|--------|-----------|--|
| 1 | CS# | | Chip select |
| 2 | SO | SIO1 | Serial data output for 1 x I/O Serial data input and output for 4 x I/O read mode |
| 3 | WP# | SIO2 | Write protection active low Serial data input and output for 4 x I/O read mode |
| 4 | GND | - | Ground of the device |
| 5 | SI | SIO0 | Serial data input for 1x I/O Serial data input and output for 4 x I/O read mode |
| 6 | SCLK | - | Serial interface clock input |
| 7 | HOLD# | SIO3 | To pause the device without deselecting the device Serial data input and output for 4 x I/O read mode |
| 8 | Vcc | - | Power supply of the device |

4 Block Diagram



5 Electrical Specifications

5.1 Absolute Maximum Ratings

- Storage Temperature-65°C to +150°C
- Operation Temperature-40°C to +85°C
- Maximum Operation Voltage..... 4.0V
- Voltage on Any Pin with respect to Ground.-0.6V to + 4.1V
- DC Output Current5.0 mA

NOTICE: Stresses above those listed under “Absolute Maximum Ratings” may cause permanent damage to the device. This is a stress rating only and functional operation of the device at those or any other conditions above those indicated in the operational listings of this specification is not implied. Exposure to maximum rating conditions for extended periods may affect device reliability.

Table 5-1 Pin Capacitance [1]

| Symbol | Parameter | Max. | Units | Test Condition |
|------------------|--------------------|------|-------|-----------------------|
| C _{OUT} | Output Capacitance | 8 | pF | V _{OUT} =GND |
| C _{IN} | Input Capacitance | 6 | pF | V _{IN} =GND |

Note:

1. Test Conditions: T_A = 25°C, F = 1MHz, V_{CC} = 3.0V.

Figure 5-1 Maximum Overshoot Waveform



Figure 5-2 Input Test Waveforms and Measurement Level

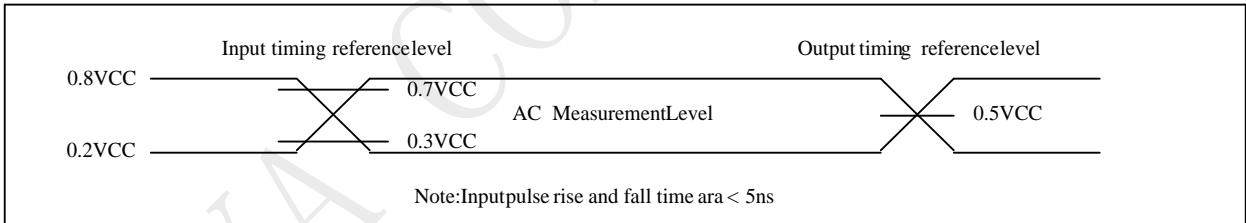
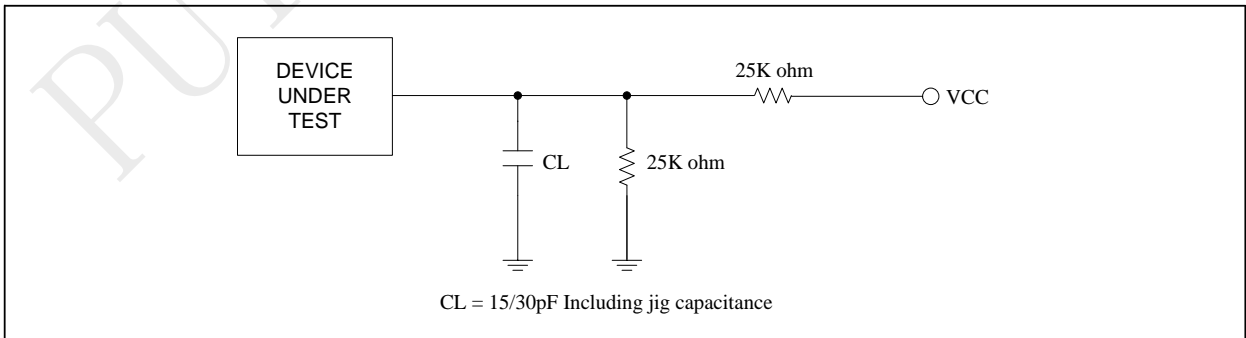


Figure 5-3 Output Loading



5.2 DC Characteristics

Table 5-2 DC parameters

| Sym. | Parameter | Conditions | 2.3V to 3.6V | | | Units |
|------------------|------------------------------|---|----------------------|------|--------------------|-------|
| | | | Min. | Typ. | Max. | |
| I _{DPD} | Deep power down current | CS#=V _{cc} , all other inputs at 0V or V _{cc} | | 0.3 | 1.5 | uA |
| I _{SB} | Standby current | CS#, HOLD#, WP#=VIH all inputs at CMOS levels | | 9 | | uA |
| I _{CC1} | Low power read current (03h) | f=1MHz; SO=Open | | 0.5 | 2.0 | mA |
| | | f=33MHz; SO=Open | | 1.0 | 2.0 | mA |
| I _{CC2} | Read current (0Bh) | f=50MHz; SO=Open | | 1.0 | 2.0 | mA |
| | | f=85MHz; SO=Open | | 1.5 | 3.0 | mA |
| I _{CC3} | Program current | CS#=V _{cc} | | 1.5 | 3.0 | mA |
| I _{CC4} | Erase current | CS#=V _{cc} | | 2.0 | 4.0 | mA |
| I _{LI} | Input load current | All inputs at CMOS level | | | 1.0 | uA |
| I _{LO} | Output leakage | All inputs at CMOS level | | | 1.0 | uA |
| V _{IL} | Input low voltage | | | | 0.3V _{cc} | V |
| V _{IH} | Input high voltage | | 0.7V _{cc} | | | V |
| V _{OL} | Output low voltage | I _{OL} =100uA | | | 0.2 | V |
| V _{OH} | Output high voltage | I _{OH} =-100uA | V _{cc} -0.2 | | | V |

Note

1. Typical values measured at 3.0V @ 25°C for the 2.3V to 3.6V range.

5.3 AC Characteristics

Table 5-3 AC parameters

| Symbol | Alt. | Parameter | 2.3V~3.6V | | | Unit |
|----------|----------|--|-----------|-----|-----|------|
| | | | min | typ | max | |
| fSCLK | fC | Clock Frequency for the following instructions: FAST_READ, RDSFDP, PP, SE, BE32K, BE, CE, DP, RES, WREN, WRDI, RDID, RDSR, WRSR(7) | | | 104 | MHz |
| fRSCLK | fR | Clock Frequency for READ instructions | | | 55 | MHz |
| fTSCLK | fT | Clock Frequency for DREAD instructions | | | 104 | MHz |
| | | Clock Frequency for 2READ instructions | | | 85 | MHz |
| | fQ | Clock Frequency for QREAD instructions | | | 104 | MHz |
| | | Clock Frequency for 4READ instructions | | | 85 | MHz |
| fQPP | | Clock Frequency for QPP (Quad page program) | | | 104 | MHz |
| tCH(1) | tCLH | Clock High Time | 4.5 | | | ns |
| tCL(1) | tCLL | Clock Low Time (fSCLK) 45% x (1fSCLK) | 4.5 | | | ns |
| tCLCH(7) | | Clock Rise Time (peak to peak) | 0.1 | | | v/ns |
| tCHCL(7) | | Clock Fall Time (peak to peak) | 0.1 | | | v/ns |
| tSLCH | tCSS | CS# Active Setup Time (relative to SCLK) | 5 | | | ns |
| tCHSL | | CS# Not Active Hold Time (relative to SCLK) | 5 | | | ns |
| tDVCH | tDS U | Data In Setup Time | 2 | | | ns |
| tCHDX | tDH | Data In Hold Time | 3 | | | ns |
| tCHSH | | CS# Active Hold Time (relative to SCLK) | 5 | | | ns |
| tSHCH | | CS# Not Active Setup Time (relative to SCLK) | 5 | | | ns |
| tSHSL | tCSH | CS# Deselect Time From Read to next Read | 15 | | | ns |
| | | CS# Deselect Time From Write, Erase, Program to Read Status Register | 30 | | | ns |
| tSHQZ(7) | tDIS | Output Disable Time | | | 6 | ns |
| tCLQV | tV | Clock Low to Output Valid Loading 30pF | | | 7 | ns |
| | | Clock Low to Output Valid Loading 15pF | | | 6 | ns |
| tCLQX | tHO | Output Hold Time | 0 | | | ns |
| tHLCH | | HOLD# Active Setup Time (relative to SCLK) | 5 | | | ns |
| tCHHH | | HOLD# Active Hold Time (relative to SCLK) | 5 | | | ns |
| tHHCH | | HOLD# Not Active Setup Time (relative to SCLK) | 5 | | | ns |
| tCHHL | | HOLD# Not Active Hold Time (relative to SCLK) | 5 | | | ns |
| tHHQX | tLZ | HOLD# to Output Low-Z | | | 6 | ns |
| tHLQZ | tHZ | HOLD# to Output High-Z | | | 6 | ns |
| tWHS(3) | | Write Protect Setup Time | 20 | | | ns |
| tSHWL(3) | | Write Protect Hold Time | 100 | | | ns |
| tDP | | CS# High to Deep Power-down Mode | | | 3 | us |
| tRES1 | | CS# High To Standby Mode Without Electronic Signature Read | | | 8 | us |
| tRES2 | | CS# High To Standby Mode With Electronic Signature Read | | | 8 | us |
| tW | | Write Status Register Cycle Time | | 8 | 12 | ms |
| tReady | | Reset recovery time(for erase/program operation except WRSR) | 30 | | | us |
| | | Reset recovery time(for WRSR operation) | | 8 | 12 | ms |

5.4 AC Characteristics for Program and Erase

Table 5-4 AC parameters for program and erase

| Sym. | Parameter | 2.3V to 3.6V | | | Units |
|---------------------|---|--------------|------|------|-------|
| | | Min. | Typ. | Max. | |
| T _{ESL(6)} | Erase Suspend Latency | | | 30 | us |
| T _{PSL(6)} | Program Suspend Latency | | | 30 | us |
| T _{PRS(4)} | Latency between Program Resume and next Suspend | 0.3 | | | us |
| T _{ERS(5)} | Latency between Erase Resume and next Suspend | 0.3 | | | us |
| t _{PP} | Page program time (up to 256 bytes) | | 0.6 | 1.5 | ms |
| t _{PE} | Page erase time | | 8 | 12 | ms |
| t _{SE} | Sector erase time | | 8 | 12 | ms |
| t _{BE1} | Block erase time for 32K bytes | | 8 | 12 | ms |
| t _{BE2} | Block erase time for 64K bytes | | 8 | 12 | ms |
| t _{CE} | Chip erase time | | 8 | 12 | ms |

Note

1. t_{CH} + t_{CL} must be greater than or equal to 1/ Frequency.
2. Typical values given for TA=25°C. Not 100% tested.
3. Only applicable as a constraint for a WRSR instruction.
4. Program operation may be interrupted as often as system request. The minimum timing of t_{PRS} must be observed before issuing the next program suspend command. However, in order for an Program operation to make progress, t_{PRS} ≥ 100us must be included in resume-to-suspend loop(s). Not 100% tested.
5. Erase operation may be interrupted as often as system request. The minimum timing of t_{ERS} must be observed before issuing the next erase suspend command. However, in order for an Erase operation to make progress, t_{ERS} ≥ 200us must be included in resume-to-suspend loop(s). Notes. Not 100% tested.
6. Latency time is required to complete Erase/Program Suspend operation.
7. The value guaranteed by characterization, not 100% tested in production.

Figure 5-4 Serial Input Timing

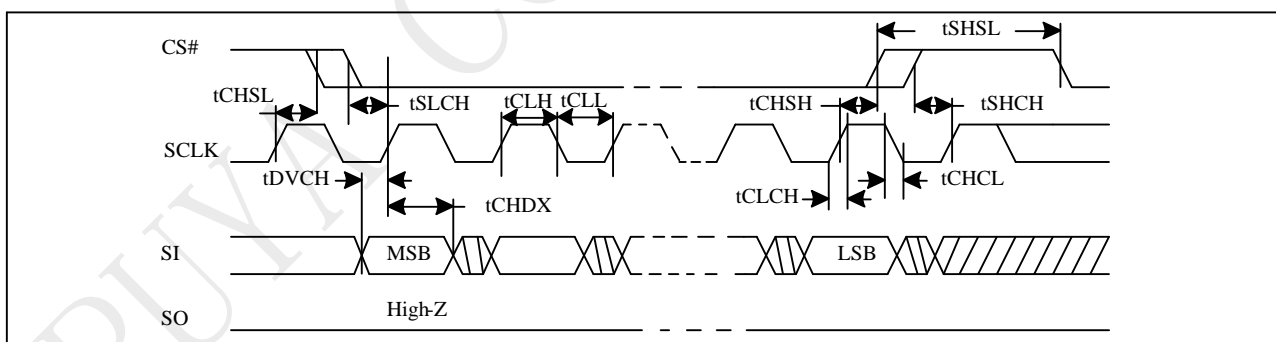


Figure 5-5 Output Timing

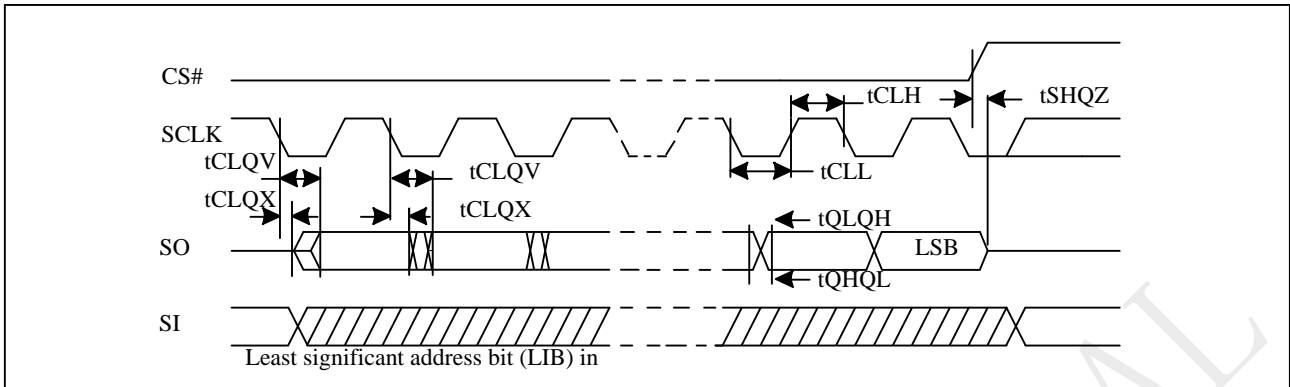


Figure 5-6 Hold Timing

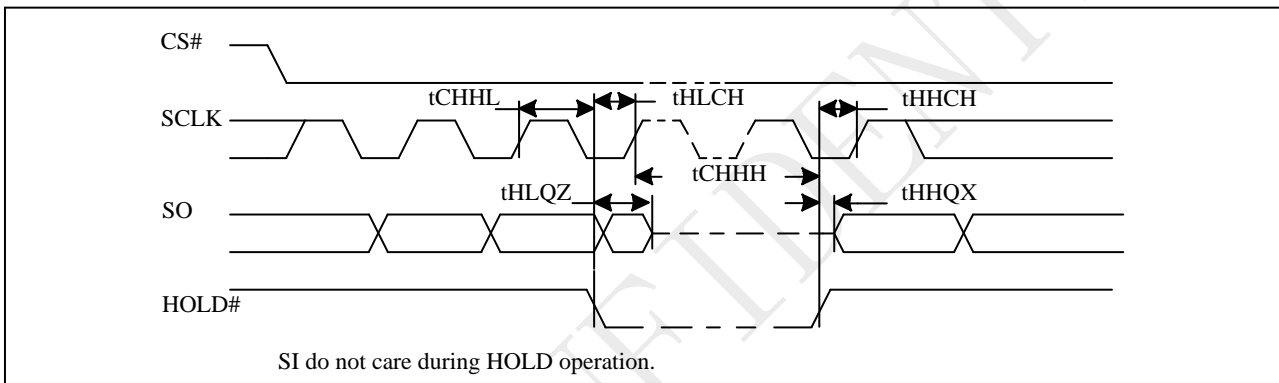
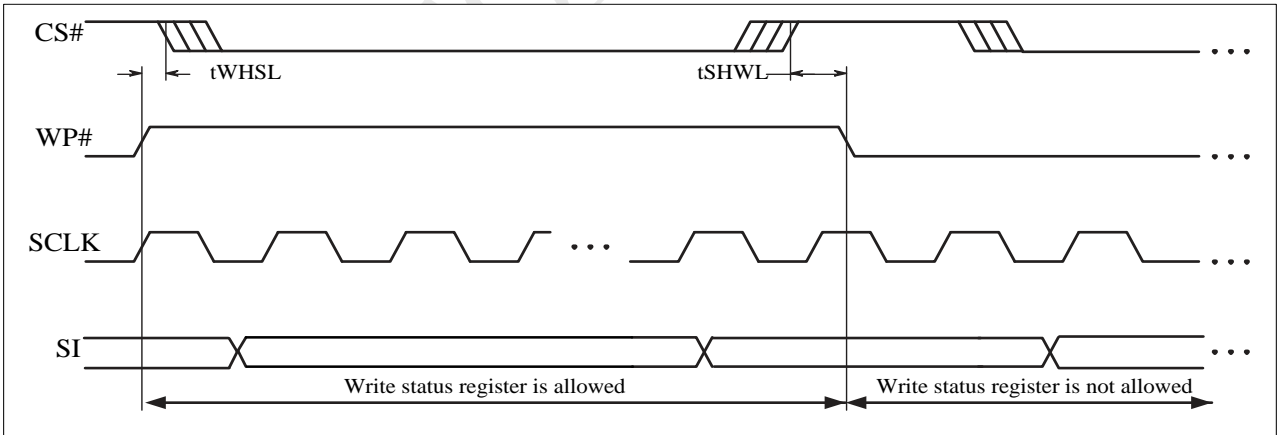


Figure 5-7 WP Timing



5.5 Operation Conditions

At Device Power-Up and Power-Down

AC timing illustrated in "Figure AC Timing at Device Power-Up" and "Figure Power-Down Sequence" are for the supply voltages and the control signals at device power-up and power-down. If the timing in the figures is ignored, the device will not operate correctly.

During power-up and power-down, CS# needs to follow the voltage applied on VCC to keep the device not to be selected. The CS# can be driven low when VCC reach $V_{cc(min)}$ and wait a period of t_{VSL} .

Figure 5-8 AC Timing at Device Power-Up

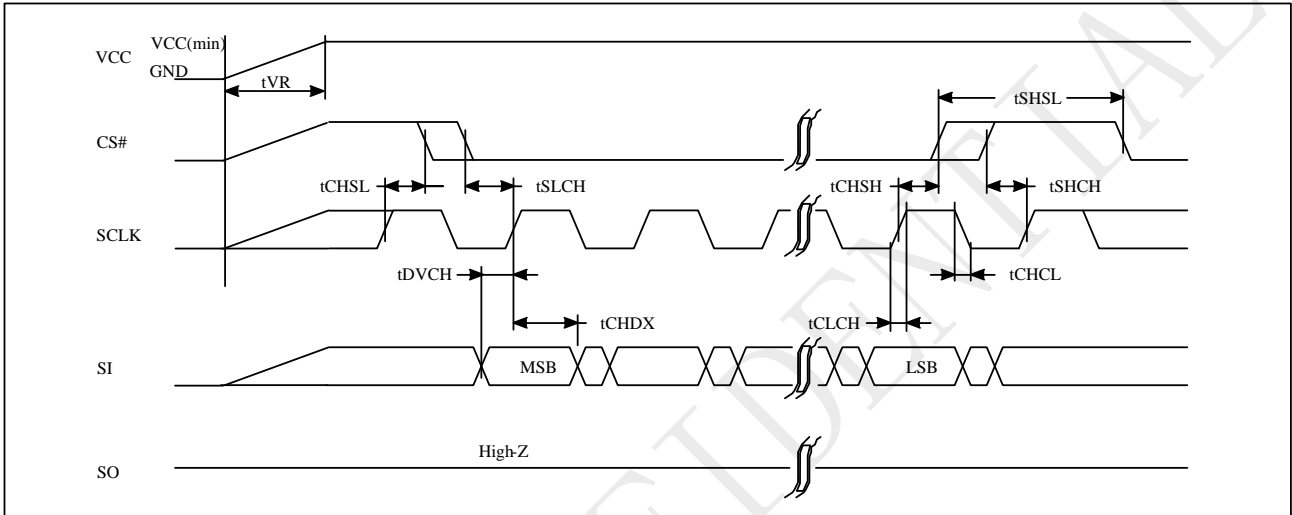
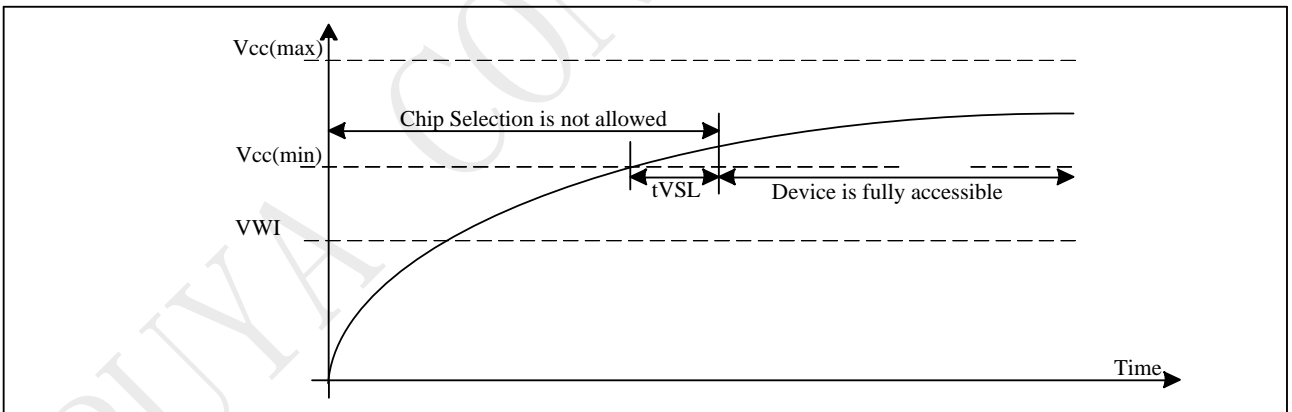


Figure 5-9 Power-up Timing

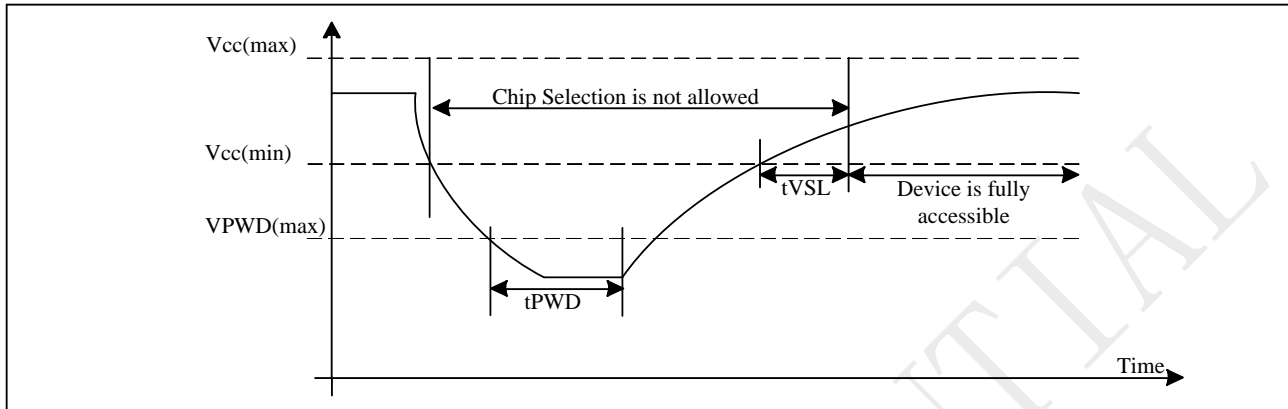


Power Up/Down and Voltage Drop

For Power-down to Power-up operation, the VCC of flash device must below VPWD for at least tPWD timing.

Please check the table below for more detail.

Figure 5-10 Power down-up Timing



| Symbol | Parameter | min | max | unit |
|--------|---|------|--------|------|
| VPWD | VCC voltage needed to below VPWD for ensuring initialization will occur | | 1 | V |
| tPWD | The minimum duration for ensuring initialization will occur | 300 | | us |
| tVSL | VCC(min.) to device operation | 70 | | us |
| tVR | VCC Rise Time | 1 | 500000 | us/V |
| VWI | Write Inhibit Voltage | 1.45 | 1.55 | V |

Initial Delivery State

The device is delivered with the memory array erased: all bits are set to 1 (each byte contains FFh). The Status Register contains 00h (all Status Register bits are 0).

6 Data Protection

During power transition, there may be some false system level signals which result in inadvertent erasure or programming. The device is designed to protect itself from these accidental write cycles.

The state machine will be reset as standby mode automatically during power up. In addition, the control register architecture of the device constrains that the memory contents can only be changed after specific command sequences have completed successfully.

In the following, there are several features to protect the system from the accidental write cycles during VCC power-up and power-down or from system noise.

- Power-on reset: to avoid sudden power switch by system power supply transition, the power-on reset may protect the Flash.
- Valid command length checking: The command length will be checked whether it is at byte base and completed on byte boundary.
- Write Enable (WREN) command: WREN command is required to set the Write Enable Latch bit (WEL) before issuing other commands to change data.
- Software Protection Mode: The Block Protect (BP4, BP3, BP2, BP1, and BP0) bits define the section of the memory array that can be read but not change.
- Hardware Protection Mode: WP# going low to protected the BP0~BP4bits and SRP0~1bits
- Deep Power-Down Mode: By entering deep power down mode, the flash device is under protected from writing all commands except the Release from Deep Power-Down Mode command.

Table 6-1. Protected Area Sizes
P25Q40H-Q Protected Area Sizes (CMP bit = 0)

| Status bit | | | | | Memory Content | | | |
|------------|-----|-----|-----|-----|----------------|------------------|---------|-------------|
| BP4 | BP3 | BP2 | BP1 | BP0 | Blocks | Addresses | Density | Portion |
| x | x | 0 | 0 | 0 | NONE | NONE | NONE | NONE |
| 0 | 0 | 0 | 0 | 1 | 7 | 070000H-07FFFFH | 64KB | Upper 1/8 |
| 0 | 0 | 0 | 1 | 0 | 6 and 7 | 060000H-07FFFFH | 128KB | Upper 1/4 |
| 0 | 0 | 0 | 1 | 1 | 4 to 7 | 040000H-07FFFFH | 256KB | Upper 1/2 |
| 0 | 1 | 0 | 0 | 1 | 0 | 000000H-00FFFFH | 64KB | Lower 1/8 |
| 0 | 1 | 0 | 1 | 0 | 0 and 1 | 000000H-01FFFFH | 128KB | Lower 1/4 |
| 0 | 1 | 0 | 1 | 1 | 0 to 3 | 000000H-03FFFFH | 256KB | Lower 1/2 |
| 0 | x | 1 | x | x | 0 to 7 | 000000H-07FFFFH | 512KB | ALL |
| 1 | 0 | 0 | 0 | 1 | 7 | 07F000H-07FFFFH | 4KB | Upper 1/128 |
| 1 | 0 | 0 | 1 | 0 | 7 | 07E000H-07FFFFH | 8KB | Upper 1/64 |
| 1 | 0 | 0 | 1 | 1 | 7 | 07C000H-07FFFFH | 16KB | Upper 1/32 |
| 1 | 0 | 1 | 0 | x | 7 | 078000H- 07FFFFH | 32KB | Upper 1/16 |
| 1 | 0 | 1 | 1 | 0 | 7 | 078000H-07FFFFH | 32KB | Upper 1/16 |
| 1 | 1 | 0 | 0 | 1 | 0 | 000000H-000FFFFH | 4KB | Lower 1/128 |
| 1 | 1 | 0 | 1 | 0 | 0 | 000000H-001FFFFH | 8KB | Lower 1/64 |
| 1 | 1 | 0 | 1 | 1 | 0 | 000000H-003FFFFH | 16KB | Lower 1/32 |
| 1 | 1 | 1 | 0 | x | 0 | 000000H-007FFFFH | 32KB | Lower 1/16 |
| 1 | 1 | 1 | 1 | 0 | 0 | 000000H-007FFFFH | 32KB | Lower 1/16 |
| 1 | x | 1 | 1 | 1 | 0 to 7 | 000000H-07FFFFH | 512KB | ALL |

P25Q40H-Q Protected Area Sizes (CMP bit = 1)

| Status bit | | | | | Memory Content | | | |
|------------|-----|-----|-----|-----|----------------|------------------|---------|---------------|
| BP4 | BP3 | BP2 | BP1 | BP0 | Blocks | Addresses | Density | Portion |
| x | x | 0 | 0 | 0 | 0 to 7 | 000000H-07FFFFH | 512KB | ALL |
| 0 | 0 | 0 | 0 | 1 | 0 to 6 | 000000H-06FFFFH | 448KB | Lower 7/8 |
| 0 | 0 | 0 | 1 | 0 | 0 to 5 | 000000H-05FFFFH | 384KB | Lower 3/4 |
| 0 | 0 | 0 | 1 | 1 | 0 to 3 | 000000H-03FFFFH | 256KB | Lower 1/2 |
| 0 | 1 | 0 | 0 | 1 | 1 to 7 | 010000H-07FFFFH | 448KB | Upper 7/8 |
| 0 | 1 | 0 | 1 | 0 | 2 to 7 | 020000H-07FFFFH | 384KB | Upper 3/4 |
| 0 | 1 | 0 | 1 | 1 | 4 to 7 | 040000H-07FFFFH | 256KB | Upper 1/2 |
| 0 | x | 1 | x | x | NONE | NONE | NONE | NONE |
| 1 | 0 | 0 | 0 | 1 | 0 to 7 | 000000H-07EFFFFH | 508KB | Lower 127/128 |
| 1 | 0 | 0 | 1 | 0 | 0 to 7 | 000000H-07DFFFFH | 504KB | Lower 63/64 |
| 1 | 0 | 0 | 1 | 1 | 0 to 7 | 000000H-07BFFFFH | 496KB | Lower 31/32 |
| 1 | 0 | 1 | 0 | x | 0 to 7 | 000000H-077FFFFH | 480KB | Lower 15/16 |
| 1 | 0 | 1 | 1 | 0 | 0 to 7 | 000000H-077FFFFH | 480KB | Lower 15/16 |
| 1 | 1 | 0 | 0 | 1 | 0 to 7 | 001000-07FFFFH | 508KB | Upper 127/128 |
| 1 | 1 | 0 | 1 | 0 | 0 to 7 | 002000-07FFFFH | 504KB | Upper 63/64 |
| 1 | 1 | 0 | 1 | 1 | 0 to 7 | 004000-07FFFFH | 496KB | Upper 31/32 |
| 1 | 1 | 1 | 0 | x | 0 to 7 | 008000-07FFFFH | 480KB | Upper 15/16 |
| 1 | 1 | 1 | 1 | 0 | 0 to 7 | 008000-07FFFFH | 480KB | Upper 15/16 |
| 1 | x | 1 | 1 | 1 | NONE | NONE | NONE | NONE |

P25Q20H-Q Protected Area Sizes (CMP bit = 0)

| Status bit | | | | | Memory Content | | | |
|------------|-----|-----|-----|-----|----------------|------------------|---------|------------|
| BP4 | BP3 | BP2 | BP1 | BP0 | Blocks | Addresses | Density | Portion |
| 0 | x | x | 0 | 0 | NONE | NONE | NONE | NONE |
| 0 | 0 | x | 0 | 1 | 3 | 030000H-03FFFFH | 64KB | Upper 1/4 |
| 0 | 0 | x | 1 | 0 | 2 and 3 | 020000H-03FFFFH | 128KB | Upper 1/2 |
| 0 | 1 | x | 0 | 1 | 0 | 000000H-00FFFFH | 64KB | Lower 1/4 |
| 0 | 1 | x | 1 | 0 | 0 and 1 | 000000H-01FFFFH | 128KB | Lower 1/2 |
| 0 | x | x | 1 | 1 | 0 to 3 | 000000H-03FFFFH | 256KB | ALL |
| 1 | x | 0 | 0 | 0 | NONE | NONE | NONE | NONE |
| 1 | 0 | 0 | 0 | 1 | 3 | 03F000H-03FFFFH | 4KB | Upper 1/64 |
| 1 | 0 | 0 | 1 | 0 | 3 | 03E000H-03FFFFH | 8KB | Upper 1/32 |
| 1 | 0 | 0 | 1 | 1 | 3 | 03C000H-03FFFFH | 16KB | Upper 1/16 |
| 1 | 0 | 1 | 0 | x | 3 | 038000H-03FFFFH | 32KB | Upper 1/8 |
| 1 | 0 | 1 | 1 | 0 | 3 | 038000H-03FFFFH | 32KB | Upper 1/8 |
| 1 | 1 | 0 | 0 | 1 | 0 | 000000H-000FFFFH | 4KB | Lower 1/64 |
| 1 | 1 | 0 | 1 | 0 | 0 | 000000H-001FFFFH | 8KB | Lower 1/32 |
| 1 | 1 | 0 | 1 | 1 | 0 | 000000H-003FFFFH | 16KB | Lower 1/16 |
| 1 | 1 | 1 | 0 | x | 0 | 000000H-007FFFFH | 32KB | Lower 1/8 |
| 1 | 1 | 1 | 1 | 0 | 0 | 000000H-007FFFFH | 32KB | Lower 1/8 |
| 1 | x | 1 | 1 | 1 | 0 to 3 | 000000H-03FFFFH | 256KB | ALL |

P25Q20H-Q Protected Area Sizes (CMP bit = 1)

| Status bit | | | | | Memory Content | | | |
|------------|-----|-----|-----|-----|----------------|------------------|---------|-------------|
| BP4 | BP3 | BP2 | BP1 | BP0 | Blocks | Addresses | Density | Portion |
| 0 | x | x | 0 | 0 | 0 to 3 | 000000H-03FFFFH | 256KB | ALL |
| 0 | 0 | x | 0 | 1 | 0 to 2 | 000000H-02FFFFH | 192KB | Lower 3/4 |
| 0 | 0 | x | 1 | 0 | 0 and 1 | 000000H-01FFFFH | 128KB | Lower 1/2 |
| 0 | 1 | x | 0 | 1 | 1 to 3 | 010000H-03FFFFH | 192KB | Upper 3/4 |
| 0 | 1 | x | 1 | 0 | 2 and 3 | 020000H-03FFFFH | 128KB | Upper 1/2 |
| 0 | x | x | 1 | 1 | NONE | NONE | NONE | NONE |
| 1 | x | 0 | 0 | 0 | 0 to 3 | 000000H-03FFFFH | 256KB | ALL |
| 1 | 0 | 0 | 0 | 1 | 0 to 3 | 000000H-03EFFFFH | 252KB | Lower 63/64 |
| 1 | 0 | 0 | 1 | 0 | 0 to 3 | 000000H-03DFFFFH | 248KB | Lower 31/32 |
| 1 | 0 | 0 | 1 | 1 | 0 to 3 | 000000H-03BFFFFH | 240KB | Lower 15/16 |
| 1 | 0 | 1 | 0 | x | 0 to 3 | 000000H-037FFFFH | 224KB | Lower 7/8 |
| 1 | 0 | 1 | 1 | 0 | 0 to 3 | 000000H-037FFFFH | 224KB | Lower 7/8 |
| 1 | 1 | 0 | 0 | 1 | 0 to 3 | 001000-03FFFFH | 252KB | Upper 63/64 |
| 1 | 1 | 0 | 1 | 0 | 0 to 3 | 002000-03FFFFH | 248KB | Upper 31/32 |
| 1 | 1 | 0 | 1 | 1 | 0 to 3 | 004000-03FFFFH | 240KB | Upper 15/16 |
| 1 | 1 | 1 | 0 | x | 0 to 3 | 008000-03FFFFH | 224KB | Upper 7/8 |
| 1 | 1 | 1 | 1 | 0 | 0 to 3 | 008000-03FFFFH | 224KB | Upper 7/8 |
| 1 | x | 1 | 1 | 1 | NONE | NONE | NONE | NONE |

P25Q10H-Q Protected Area Sizes (CMP bit = 0)

| Status bit | | | | | Memory Content | | | |
|------------|-----|-----|-----|-----|----------------|-----------------|---------|------------|
| BP4 | BP3 | BP2 | BP1 | BP0 | Blocks | Addresses | Density | Portion |
| 0 | x | x | 0 | 0 | NONE | NONE | NONE | NONE |
| 0 | 0 | x | 0 | 1 | 1 | 010000H-01FFFFH | 64KB | Upper 1/2 |
| 0 | 1 | x | 0 | 1 | 0 | 000000H-00FFFFH | 64KB | Lower 1/2 |
| 0 | x | x | 1 | x | 0 to 1 | 000000H-01FFFFH | 128KB | ALL |
| 1 | x | 0 | 0 | 0 | NONE | NONE | NONE | NONE |
| 1 | 0 | 0 | 0 | 1 | 1 | 01F000H-01FFFFH | 4KB | Upper 1/32 |
| 1 | 0 | 0 | 1 | 0 | 1 | 01E000H-01FFFFH | 8KB | Upper 1/16 |
| 1 | 0 | 0 | 1 | 1 | 1 | 01C000H-01FFFFH | 16KB | Upper 1/8 |
| 1 | 0 | 1 | 0 | x | 1 | 018000H-01FFFFH | 32KB | Upper 1/4 |
| 1 | 0 | 1 | 1 | 0 | 1 | 018000H-01FFFFH | 32KB | Upper 1/4 |
| 1 | 1 | 0 | 0 | 1 | 0 | 000000H-000FFFH | 4KB | Lower 1/32 |
| 1 | 1 | 0 | 1 | 0 | 0 | 000000H-001FFFH | 8KB | Lower 1/16 |
| 1 | 1 | 0 | 1 | 1 | 0 | 000000H-003FFFH | 16KB | Lower 1/8 |
| 1 | 1 | 1 | 0 | x | 0 | 000000H-007FFFH | 32KB | Lower 1/4 |
| 1 | 1 | 1 | 1 | 0 | 0 | 000000H-007FFFH | 32KB | Lower 1/4 |
| 1 | x | 1 | 1 | 1 | 0 to 1 | 000000H-01FFFFH | 128KB | ALL |

P25Q10H-Q Protected Area Sizes (CMP bit = 1)

| Status bit | | | | | Memory Content | | | |
|------------|-----|-----|-----|-----|----------------|-----------------|---------|-------------|
| BP4 | BP3 | BP2 | BP1 | BP0 | Blocks | Addresses | Density | Portion |
| 0 | x | x | 0 | 0 | 0 to 1 | 000000H-01FFFFH | 128KB | ALL |
| 0 | 0 | x | 0 | 1 | 0 | 000000H-00FFFFH | 64KB | Lower 1/2 |
| 0 | 1 | x | 0 | 1 | 1 | 010000H-01FFFFH | 64KB | Upper 1/2 |
| 0 | x | x | 1 | x | NONE | NONE | NONE | NONE |
| 1 | x | 0 | 0 | 0 | 0 to 1 | 000000H-01FFFFH | 128KB | ALL |
| 1 | 0 | 0 | 0 | 1 | 0 to 1 | 000000H-01EFFFH | 124KB | Lower 31/32 |
| 1 | 0 | 0 | 1 | 0 | 0 to 1 | 000000H-01DFFFH | 120KB | Lower 15/16 |
| 1 | 0 | 0 | 1 | 1 | 0 to 1 | 000000H-01BFFFH | 112KB | Lower 7/8 |
| 1 | 0 | 1 | 0 | x | 0 to 1 | 000000H-017FFFH | 96KB | Lower 3/4 |
| 1 | 0 | 1 | 1 | 0 | 0 to 1 | 000000H-017FFFH | 96KB | Lower 3/4 |
| 1 | 1 | 0 | 0 | 1 | 0 to 1 | 001000H-01FFFFH | 124KB | Upper 31/32 |
| 1 | 1 | 0 | 1 | 0 | 0 to 1 | 002000H-01FFFFH | 120KB | Upper 15/16 |
| 1 | 1 | 0 | 1 | 1 | 0 to 1 | 004000H-01FFFFH | 112KB | Upper 7/8 |
| 1 | 1 | 1 | 0 | x | 0 to 1 | 008000H-01FFFFH | 96KB | Upper 3/4 |
| 1 | 1 | 1 | 1 | 0 | 0 to 1 | 008000H-01FFFFH | 96KB | Upper 3/4 |
| 1 | x | 1 | 1 | 1 | NONE | NONE | NONE | NONE |

P25Q05H-Q Protected Area Sizes (CMP bit = 0)

| Status bit | | | | | Memory Content | | | |
|------------|-----|-----|-----|-----|----------------|-----------------|---------|------------|
| BP4 | BP3 | BP2 | BP1 | BP0 | Blocks | Addresses | Density | Portion |
| 0 | x | x | x | 0 | NONE | NONE | NONE | NONE |
| 0 | x | x | x | 1 | 0 | 000000H-00FFFFH | 64KB | ALL |
| 1 | x | 0 | 0 | 0 | NONE | NONE | NONE | NONE |
| 1 | 0 | 0 | 0 | 1 | 0 | 00F000H-00FFFFH | 4KB | Upper 1/16 |
| 1 | 0 | 0 | 1 | 0 | 0 | 00E000H-00FFFFH | 8KB | Upper 1/8 |
| 1 | 0 | 0 | 1 | 1 | 0 | 00C000H-00FFFFH | 16KB | Upper 1/4 |
| 1 | 0 | 1 | 0 | x | 0 | 008000H-00FFFFH | 32KB | Upper 1/2 |
| 1 | 0 | 1 | 1 | 0 | 0 | 008000H-00FFFFH | 32KB | Upper 1/2 |
| 1 | 1 | 0 | 0 | 1 | 0 | 000000H-000FFFH | 4KB | Lower 1/16 |
| 1 | 1 | 0 | 1 | 0 | 0 | 000000H-001FFFH | 8KB | Lower 1/8 |
| 1 | 1 | 0 | 1 | 1 | 0 | 000000H-003FFFH | 16KB | Lower 1/4 |
| 1 | 1 | 1 | 0 | x | 0 | 000000H-007FFFH | 32KB | Lower 1/2 |
| 1 | 1 | 1 | 1 | 0 | 0 | 000000H-007FFFH | 32KB | Lower 1/2 |
| 1 | x | 1 | 1 | 1 | 0 | 000000H-00FFFFH | 64KB | ALL |

P25Q05H-Q Protected Area Sizes (CMP bit = 1)

| Status bit | | | | | Memory Content | | | |
|------------|-----|-----|-----|-----|----------------|-----------------|---------|-------------|
| BP4 | BP3 | BP2 | BP1 | BP0 | Blocks | Addresses | Density | Portion |
| 0 | x | x | x | 0 | 0 | 000000H-00FFFFH | 64KB | ALL |
| 0 | x | x | x | 1 | NONE | NONE | NONE | NONE |
| 1 | x | 0 | 0 | 0 | 0 | 000000H-00FFFFH | 64KB | ALL |
| 1 | 0 | 0 | 0 | 1 | 0 | 000000H-00EFFFH | 60KB | Lower 15/16 |
| 1 | 0 | 0 | 1 | 0 | 0 | 000000H-00DFFFH | 56KB | Lower 7/8 |
| 1 | 0 | 0 | 1 | 1 | 0 | 000000H-00BFFFH | 48KB | Lower 3/4 |
| 1 | 0 | 1 | 0 | x | 0 | 000000H-007FFFH | 32KB | Lower 1/2 |
| 1 | 0 | 1 | 1 | 0 | 0 | 000000H-007FFFH | 32KB | Lower 1/2 |
| 1 | 1 | 0 | 0 | 1 | 0 | 001000H-00FFFFH | 60KB | Upper 15/16 |
| 1 | 1 | 0 | 1 | 0 | 0 | 002000H-00FFFFH | 56KB | Upper 7/8 |
| 1 | 1 | 0 | 1 | 1 | 0 | 004000H-00FFFFH | 48KB | Upper 3/4 |
| 1 | 1 | 1 | 0 | x | 0 | 008000H-00FFFFH | 32KB | Upper 1/2 |
| 1 | 1 | 1 | 1 | 0 | 0 | 008000H-00FFFFH | 32KB | Upper 1/2 |
| 1 | x | 1 | 1 | 1 | NONE | NONE | NONE | NONE |

Note:

1. X=don't care
2. If any erase or program command specifies a memory that contains protected data portion, this command will be ignored.

7 Memory Address Mapping

The memory array can be erased in three levels of granularity including a full chip erase. The size of the erase blocks is optimized for both code and data storage applications, allowing both code and data segments to reside in their own erase regions.

P25Q40H-Q Memory Organization

| Block64K | Block32K | Sector | Address Range | |
|----------|----------|--------|---------------|---------|
| | | | | |
| 7 | 15 - 14 | 127 | 07F000H | 07FFFFH |
| | | | | |
| | | 112 | 070000H | 070FFFH |
| 6 | 13 - 12 | 111 | 06F000H | 06FFFFH |
| | | | | |
| | | 96 | 060000H | 060FFFH |
| | ⋮ | | | |
| | | | | |
| | | | | |
| | ⋮ | | | |
| | | | | |
| | | | | |
| 2 | 5 - 4 | 47 | 02F000H | 02FFFFH |
| | | | | |
| | | 32 | 020000H | 020FFFH |
| 1 | 3 - 2 | 31 | 01F000H | 01FFFFH |
| | | | | |
| | | 16 | 010000H | 010FFFH |
| 0 | 1 - 0 | 15 | 00F000H | 00FFFFH |
| | | | | |
| | | 0 | 000000H | 000FFFH |

P25Q20H-Q Memory Organization

| Block64K | Block32K | Sector | Address Range | |
|----------|----------|--------|---------------|---------|
| | | | | |
| 3 | 7 - 6 | 63 | 03F000H | 03FFFFH |
| | | | | |
| | | 48 | 030000H | 030FFFH |
| 2 | 5 - 4 | 47 | 02F000H | 02FFFFH |
| | | | | |
| | | 32 | 020000H | 020FFFH |
| 1 | 3 - 2 | 31 | 01F000H | 01FFFFH |
| | | | | |
| | | 16 | 010000H | 010FFFH |
| 0 | 1 - 0 | 15 | 00F000H | 00FFFFH |
| | | | | |
| | | 0 | 000000H | 000FFFH |

P25Q10H-Q Memory Organization

| Block64K | Block32K | Sector | Address Range | |
|----------|----------|--------|---------------|---------|
| 1 | 3 - 2 | 31 | 01F000H | 01FFFFH |
| | | | | |
| | | 16 | 010000H | 010FFFH |
| 0 | 1 - 0 | 15 | 00F000H | 00FFFFH |
| | | | | |
| | | 0 | 000000H | 000FFFH |

P25Q05H-Q Memory Organization

| Block64K | Block32K | Sector | Address Range | | |
|----------|----------|--------|---------------|---------|---------|
| 0 | 1 | 15 | 00F000H | 00FFFFH | |
| | | | | | |
| | | 8 | 008000H | 008FFFH | |
| | 0 | 0 | 7 | 007000H | 007FFFH |
| | | | | | |
| | | | 0 | 000000H | 000FFFH |

PUYA CONFIDENTIAL

8 Device Operation

Before a command is issued, status register should be checked to ensure device is ready for the intended operation.

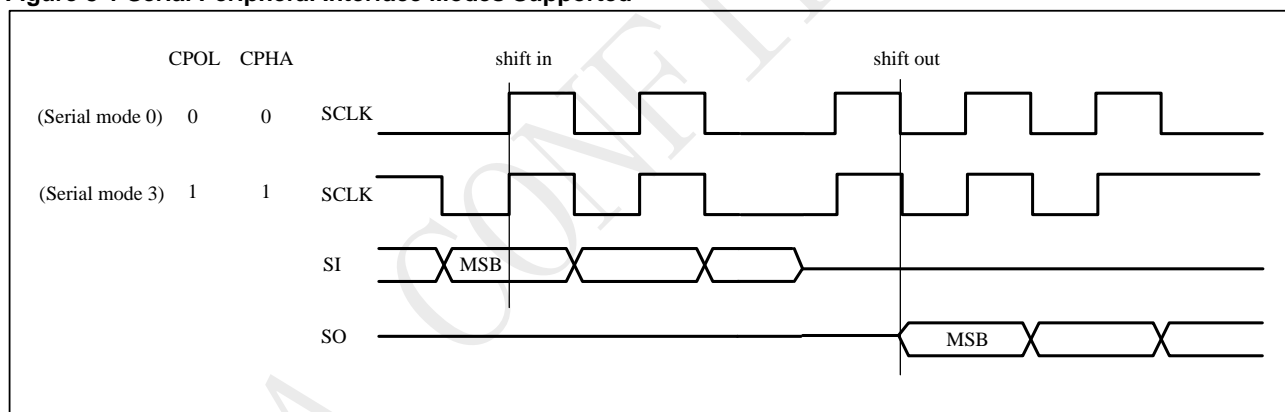
When incorrect command is inputted to this LSI, this LSI becomes standby mode and keeps the standby mode until next CS# falling edge. In standby mode, SO pin of this LSI should be High-Z. When correct command is inputted to this LSI, this LSI becomes active mode and keeps the active mode until next CS# rising edge.

Input data is latched on the rising edge of Serial Clock (SCLK) and data shifts out on the falling edge of SCLK. The difference of serial peripheral interface mode 0 and mode 3 is shown as Figure 8-1.

For the following instructions: RDID, RDSR, RDSR1, RDSCUR, READ, FAST_READ, DREAD, 2READ, 4READ, QREAD, RDSFDP, RES, REMS, DREMS, QREMS, the shifted-in instruction sequence is followed by a data-out sequence. After any bit of data being shifted out, the CS# can be high. For the following instructions: WREN, WRDI, WRSR, PE, SE, BE32K, BE, CE, PP, DPP, QPP, DP, ERSCUR, PRSCUR, SUSPEND, RESUME, RSTEN, RST, the CS# must go high exactly at the byte boundary; otherwise, the instruction will be rejected and not executed.

During the progress of Write Status Register, Program, Erase operation, to access the memory array is neglected and not affect the current operation of Write Status Register, Program, Erase.

Figure 8-1 Serial Peripheral Interface Modes Supported



Note: CPOL indicates clock polarity of serial master, CPOL=1 for SCLK high while idle, CPOL=0 for SCLK low while not transmitting. CPHA indicates clock phase. The combination of CPOL bit and CPHA bit decides which serial mode is supported.

Standard SPI

The P25Q40H/20H/10H/05H-Q features a serial peripheral interface on 4 signals bus: Serial Clock (SCLK), Chip Select (CS#), Serial Data Input (SI) and Serial Data Output (SO). Both SPI bus mode 0 and 3 are supported. Input data is latched on the rising edge of SCLK and data shifts out on the falling edge of SCLK.

Dual SPI

The P25Q40H/20H/10H/05H-Q supports Dual SPI operation when using the “Dual Output Fast Read” and “Dual I/O Fast Read”(3BHand BBH) commands. These commands allow data to be transferred to or from the device at two times the rate of the standard SPI. When using the Dual SPI command the SI and SO pins become bidirectional I/O pins: IO0 and IO1.

Quad SPI

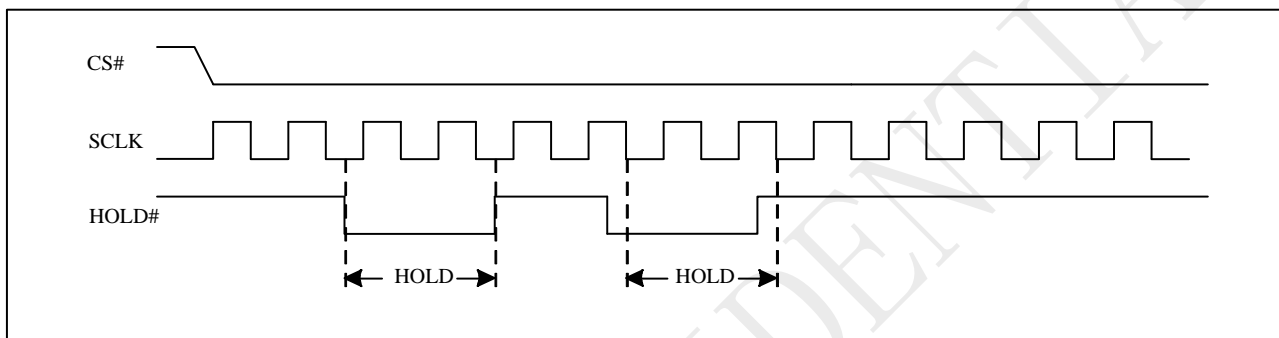
The P25Q40H/20H/10H/05H-Q supports Quad SPI operation when using the “Quad Output Fast Read”, “Quad I/O Fast Read”(6BH,EBH) commands. These commands allow data to be transferred to or from the device at four times the rate of the standard SPI. When using the Quad SPI command the SI and SO pins become bidirectional I/O pins: IO0 and IO1, and WP# and HOLD# pins become IO2 and IO3. Quad SPI commands require the non-volatile Quad Enable bit(QE) in Status Register to be set.

9 Hold Feature

HOLD# pin signal goes low to hold any serial communications with the device. The HOLD feature will not stop the operation of write status register, programming, or erasing in progress.

The operation of HOLD requires Chip Select(CS#) keeping low and starts on falling edge of HOLD# pin signal while Serial Clock (SCLK) signal is being low (if Serial Clock signal is not being low, HOLD operation will not start until Serial Clock signal being low). The HOLD condition ends on the rising edge of HOLD# pin signal while Serial Clock(SCLK) signal is being low(if Serial Clock signal is not being low, HOLD operation will not end until Serial Clock being low).

Figure 9-1 Hold Condition Operation



During the HOLD operation, the Serial Data Output (SO) is high impedance when Hold# pin goes low and will keep high impedance until Hold# pin goes high. The Serial Data Input (SI) is don't care if both Serial Clock (SCLK) and Hold# pin goes low and will keep the state until SCLK goes low and Hold# pin goes high. If Chip Select (CS#) drives high during HOLD operation, it will reset the internal logic of the device. To re-start communication with chip, the HOLD# must be at high and CS# must be at low.

Note: The HOLD feature is disabled during Quad I/O mode.

10 Commands

10.1 Commands listing

Figure 10-1 Command set

| Commands | Abbr. | Code | ADR Bytes | DMY Bytes | Data Bytes | Function description |
|----------------------------|--------|------|-----------|-----------|------------|--|
| Read | | | | | | |
| Read Array (fast) | FREAD | 0Bh | 3 | 1 | 1+ | n bytes read out until CS# goes high |
| Read Array (low power) | READ | 03h | 3 | 0 | 1+ | n bytes read out until CS# goes high |
| Read Dual Output | DREAD | 3Bh | 3 | 1 | 1+ | n bytes read out by Dual output |
| Read 2x I/O | 2READ | BBh | 3 | 1 | 1+ | n bytes read out by 2 x I/O |
| Read Quad Output | QREAD | 6Bh | 3 | 1 | 1+ | n bytes read out by Quad output |
| Read 4x I/O | 4READ | EBh | 3 | 1 | 1+ | n bytes read out by 4 x I/O |
| Program and Erase | | | | | | |
| Page Erase | PE | 81h | 3 | 0 | 0 | erase selected page |
| Sector Erase (4K bytes) | SE | 20h | 3 | 0 | 0 | erase selected sector |
| Block Erase (32K bytes) | BE32 | 52h | 3 | 0 | 0 | erase selected 32K block |
| Block Erase (64K bytes) | BE64 | D8h | 3 | 0 | 0 | erase selected 64K block |
| Chip Erase | CE | 60h | 0 | 0 | 0 | erase whole chip |
| | | C7h | 0 | 0 | 0 | erase whole chip |
| Page Program | PP | 02h | 3 | 0 | 1+ | program selected page |
| Dual-IN Page Program | 2PP | A2h | 3 | 0 | 1+ | program selected page by Dual input |
| Quad page program | QPP | 32h | 3 | 0 | 1+ | quad input to program selected page |
| Program/Erase Suspend | PES | 75h | 0 | 0 | 0 | suspend program/erase operation |
| | | B0h | 0 | 0 | 0 | suspend program/erase operation |
| Program/Erase Resume | PER | 7Ah | 0 | 0 | 0 | continue program/erase operation |
| | | 30h | 0 | 0 | 0 | continue program/erase operation |
| Protection | | | | | | |
| Write Enable | WREN | 06h | 0 | 0 | 0 | sets the (WEL) write enable latch bit |
| Write Disable | WRDI | 04h | 0 | 0 | 0 | resets the (WEL) write enable latch bit |
| Volatile SR Write Enable | VWREN | 50h | 0 | 0 | 0 | Write enable for volatile status register |
| Security | | | | | | |
| Erase Security Registers | ERSCUR | 44h | 3 | 0 | 0 | Erase security registers |
| Program Security Registers | PRSCUR | 42h | 3 | 0 | 1+ | Program security registers |
| Read Security Registers | RDSCUR | 48h | 3 | 1 | 1+ | Read value of security register |
| Status Register | | | | | | |
| Read Status Register | RDSR | 05h | 0 | 0 | 1 | read out status register |
| | RDSR2 | 35h | 0 | 0 | 1 | Read out status register-1 |
| Active Status Interrupt | ASI | 25h | 0 | 1 | 0 | Enable the active status interrupt |
| Write Status Register | WRSR | 01h | 0 | 0 | 2 | Write data to status/configuration registers |

Command set (Cont'd)

| Commands | Abbr. | Code | ADR Bytes | DMY Bytes | Data Bytes | Function |
|---|---------|------|-----------|-----------|------------|--|
| Other Commands | | | | | | |
| Reset Enable | RSTEN | 66h | 0 | 0 | 0 | Enable reset |
| Reset | RST | 99h | 0 | 0 | 0 | Reset |
| Read Manufacturer/device ID | RDID | 9Fh | 0 | 0 | 1 to 3 | output JEDEC ID: 1-byte manufacturer ID & 2-byte device ID |
| Read Manufacture ID | REMS | 90h | 3 | | 1+ | Read manufacturer ID/device ID data |
| Dual Read Manufacture ID | DREMS | 92h | 3 | 1 | 1+ | Dual output read manufacture/device ID |
| Quad Read Manufacture ID | QREMS | 94h | 3 | 1 | 1+ | Quad output read manufacture/device ID |
| Deep Power-down | DP | B9h | 0 | 0 | 0 | enters deep power-down mode |
| Release Deep Power-down / Read Electronic ID | RDP/RES | ABh | 3 | 0 | 1 | Read electronic ID data |
| Set burst length | SBL | 77h | 0 | 0 | 0 | Set burst length |
| Read SFDP | RDSFDP | 5Ah | | | | Read SFDP parameter |
| Release read enhanced | | FFh | | | | Release from read enhanced |
| Read unique ID | RUID | 4Bh | | 4 | 1+ | Read unique ID |

NOTE:

1. Dual Output data

IO0 = (D6, D4, D2, D0)

IO1 = (D7, D5, D3, D1)

2. Dual Input Address

IO0 = A22, A20, A18, A16, A14, A12, A10, A8, A6, A4, A2, A0, M6, M4, M2, M0

IO1 = A23, A21, A19, A17, A15, A13, A11, A9, A7, A5, A3, A1, M7, M5, M3, M1

3. Quad Output Data

IO0 = (D4, D0,)

IO1 = (D5, D1,)

IO2 = (D6, D2,)

IO3 = (D7, D3,.....)

4. Quad Input Address

IO0 = A20, A16, A12, A8, A4, A0, M4, M0

IO1 = A21, A17, A13, A9, A5, A1, M5, M1

IO2 = A22, A18, A14, A10, A6, A2, M6, M2

IO3 = A23, A19, A15, A11, A7, A3, M7, M3

5. Fast Read Quad I/O Data

IO0 = (x, x, x, x, D4, D0,...)

IO1 = (x, x, x, x, D5, D1,...)

IO2 = (x, x, x, x, D6, D2,...)

IO3 = (x, x, x, x, D7, D3,...)

6. Security Registers Address:

Security Register1: A23-A16=00H, A15-A9=0001000, A8-A0= Byte Address;

Security Register2: A23-A16=00H, A15-A9=0010000, A8-A0= Byte Address;

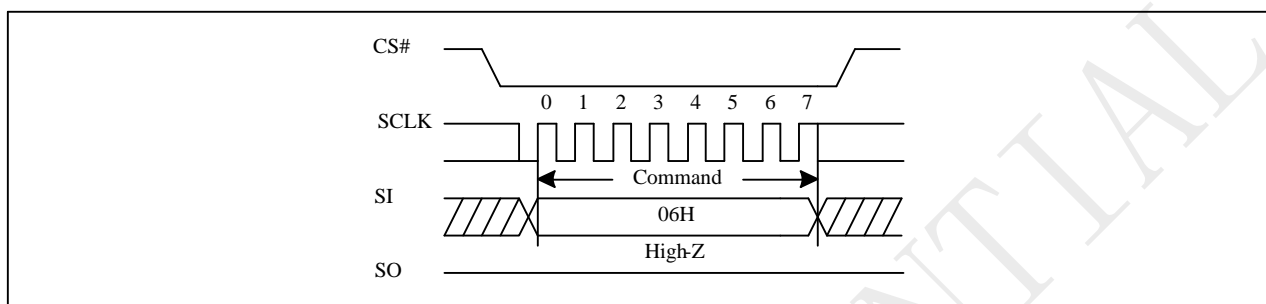
Security Register3: A23-A16=00H, A15-A9=0011000, A8-A0= Byte Address;

10.2 Write Enable (WREN)

The Write Enable (WREN) instruction is for setting Write Enable Latch (WEL) bit. For those instructions like PP,DPP,QPP, PE,SE, BE32K,BE, CE, and WRSR,ERSCUR, PRSCUR which are intended to change the device content, should be set every time after the WREN instruction setting the WEL bit.

The sequence of issuing WREN instruction is: CS# goes low→ sending WREN instruction code→ CS# goes high.

Figure 10-2 Write Enable (WREN) Sequence (Command 06)



10.3 Write Disable (WRDI)

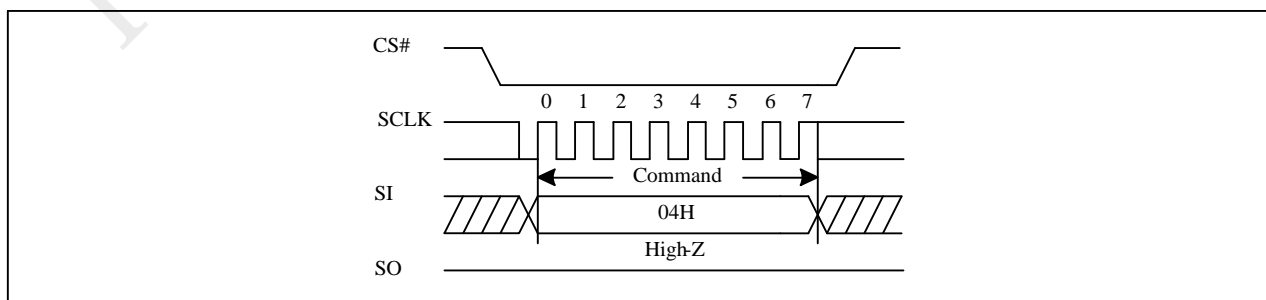
The Write Disable (WRDI) instruction is for resetting Write Enable Latch (WEL) bit.

The sequence of issuing WRDI instruction is: CS# goes low→ sending WRDI instruction code→ CS# goes high.

The WEL bit is reset by following situations:

- Power-up
- Write Disable (WRDI) instruction completion
- Write Status Register (WRSR) instruction completion
- Page Program (PP) instruction completion
- Dual Input Page Program (DPP) instruction completion
- Quod Page Program (QPP) instruction completion
- Page Erase (PE) instruction completion
- Sector Erase (SE) instruction completion
- Block Erase (BE32K,BE) instruction completion
- Chip Erase (CE) instruction completion
- Erase Security Register (ERSCUR) instruction completion
- Program Security Register (PRSCUR) instruction completion
- Reset (RST) instruction completion

Figure 10-3 Write Disable (WRDI) Sequence (Command 04)

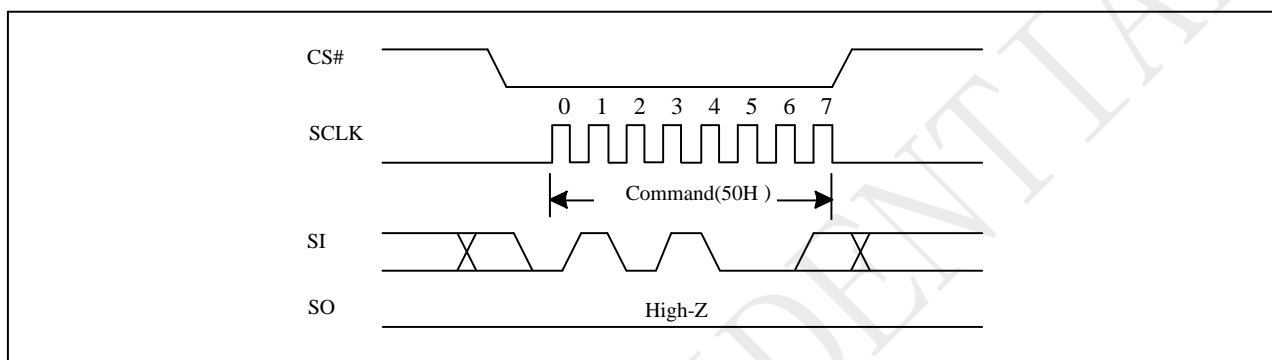


10.4 Write Enable for Volatile Status Register

The non-volatile Status Register bits can also be written to as volatile bits. This gives more flexibility to change the system configuration and memory protection schemes quickly without waiting for the typical non-volatile bit write cycles or affecting the endurance of the Status Register non-volatile bits. The Write Enable for Volatile Status Register command must be issued prior to a Write Status Register command. The Write Enable for Volatile Status Register command will not set the Write Enable Latch bit, it is only valid for the Write Status Register command to change the volatile Status Register bit values.

The sequence of issuing Write Enable for Volatile Status Register instruction is: CS# goes low → sending Write Enable for Volatile Status Register instruction code → CS# goes high.

Figure 10-4 Write Enable for Volatile Status Register Sequence (Command 50)

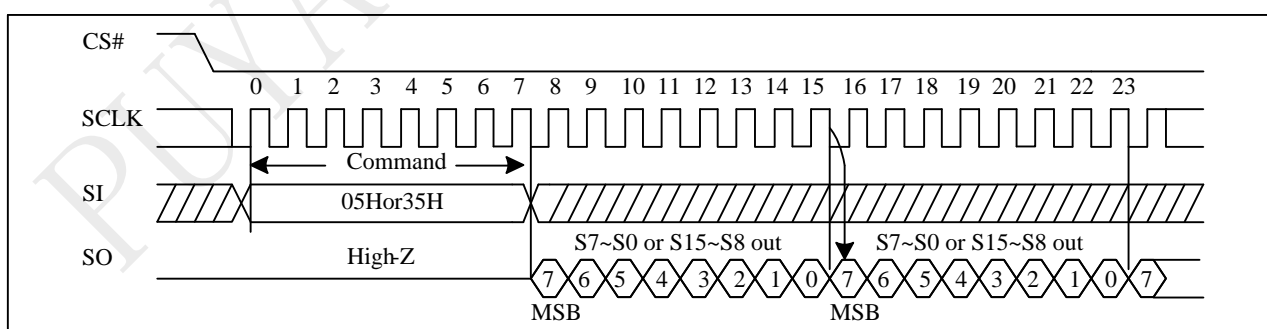


10.5 Read Status Register (RDSR)

The RDSR instruction is for reading Status Register Bits. The Read Status Register can be read at any time (even in program/erase/write status register condition). It is recommended to check the Write in Progress (WIP) bit before sending a new instruction when a program, erase, or write status register operation is in progress. For command code "05H", the SO will output Status Register bits S7~S0. The command code "35H", the SO will output Status Register bits S15~S8

The sequence of issuing RDSR instruction is: CS# goes low → sending RDSR instruction code → Status Register data out on SO. The SIO[3:1] are "don't care".

Figure 10-5 Read Status Register (RDSR) Sequence (Command 05 or 35)



Status Register

| | | | | | | | |
|-------------|------------|------------|------------|------------|-------------|-----------|-------------|
| S15 | S14 | S13 | S12 | S11 | S10 | S9 | S8 |
| SUS1 | CMP | LB3 | LB2 | LB1 | SUS2 | QE | SRP1 |

| | | | | | | | |
|-------------|------------|------------|------------|------------|------------|------------|------------|
| S7 | S6 | S5 | S4 | S3 | S2 | S1 | S0 |
| SRP0 | BP4 | BP3 | BP2 | BP1 | BP0 | WEL | WIP |

The definition of the status register bits is as below:

WIP bit.

The Write in Progress (WIP) bit indicates whether the memory is busy in program/erase/write status register progress. When WIP bit sets to 1, means the device is busy in program/erase/write status register progress, when WIP bit sets 0, means the device is not in program/erase/write status register progress.

WEL bit.

The Write Enable Latch (WEL) bit indicates the status of the internal Write Enable Latch. When set to 1 the internal Write Enable Latch is set, when set to 0 the internal Write Enable Latch is reset and no Write Status Register, Program or Erase command is accepted.

BP4, BP3, BP2, BP1, BP0 bits.

The Block Protect (BP4, BP3, BP2, BP1, and BP0) bits are non-volatile. They define the size of the area to be software protected against Program and Erase commands. These bits are written with the Write Status Register (WRSR) command. When the Block Protect (BP4, BP3, BP2, BP1, BP0) bits are set to 1, the relevant memory area (as defined in Table "Protected Area Sizes").becomes protected against Page Program (PP), Page Erase (PE), Sector Erase (SE) and Block Erase (BE) commands. The Block Protect (BP4, BP3, BP2, BP1, and BP0) bits can be written provided that the Hardware Protected mode has not been set. The Chip Erase (CE) command is executed, only if the Block Protect (BP4, BP3, BP2, BP1and BP0) are set to "None protected".

SRP1, SRP0 bits.

The Status Register Protect (SRP1 and SRP0) bits are non-volatile Read/Write bits in the status register. The SRP bits control the method of write protection: software protection, hardware protection, power supply lock-down or one time programmable protection

| SRP1 | SRP0 | WP# | Status Register | Description |
|------|------|-----|---------------------------|---|
| 0 | 0 | x | Software Protected | The Status Register can be written to after a Write Enable command, WEL=1.(Default) |
| 0 | 1 | 0 | Hardware Protected | WP#=0, the Status Register locked and can not be written to. |
| 0 | 1 | 1 | Hardware Unprotected | WP#=1, the Status Register is unlocked and can be written to after a Write Enable command, WEL=1. |
| 1 | 0 | x | Power Supply Lock-Down(1) | Status Register is protected and can not be written to again until the next Power-Down, Power-Up cycle. |
| 1 | 1 | x | One Time Program(2) | Status Register is permanently protected and can not be written to. |

NOTE:

1. When SRP1, SRP0=(1, 0), a Power-Down, Power-Up cycle will change SRP1, SRP0 to (0, 0) state.
2. This feature is available on special order. Please contact PUYA for details.

QE bit.

The Quad Enable (QE) bit is a non-volatile Read/Write bit in the Status Register that allows Quad operation. When the QE bit is set to 0 (Default) the WP# pin and HOLD# pin are enable. When the QE pin is set to 1, the Quad IO2 and IO3 pins are enabled. (The QE bit should never be set to 1 during standard SPI or Dual SPI operation if the WP# or HOLD# pins are tied directly to the power supply or ground)

LB3, LB2, LB1, bits.

The LB3, LB2, LB1, bits are non-volatile One Time Program (OTP) bits in Status Register (S13-S11) that provide the write protect control and status to the Security Registers. The default state of LB3-LB1are0, the security registers are unlocked. The LB3-LB1bitscan be set to 1 individually using the Write Register instruction. The LB3-LB1bits are One Time Programmable, once its set to 1, the Security Registers will become read-only permanently.

CMP bit

The CMP bit is a non-volatile Read/Write bit in the Status Register(S14). It is used in conjunction the BP4-BP0 bits to provide more flexibility for the array protection. Please see the table “Protected Area Size” for details. The default setting is CMP=0.

SUS1, SUS2bit

The SUS1 and SUS2bit are read only bit in the status register (S15and S10) that are set to 1 after executing an Program/Erase Suspend (75H or B0H) command (The Erase Suspend will set the SUS1 to 1,and the Program Suspend will set the SUS2 to 1). The SUS1 and SUS2 bit are cleared to 0 by Program/Erase Resume (7AH or 30H) command as well as a power-down, power-up cycle.

10.6 Active Status Interrupt (ASI)

To simplify the readout of the WIP bit, the Active Status Interrupt command (25h) may be used. It is then not necessary to continuously read the status register, it is sufficient to monitor the value of the SO line. If the SO line is connected to an interrupt line on the host controller, the host controller may be in sleep mode until the SO line indicates that the device is ready for the next command. The WIP bit can be read at any time, including during an internally self-timed program or erase operation.

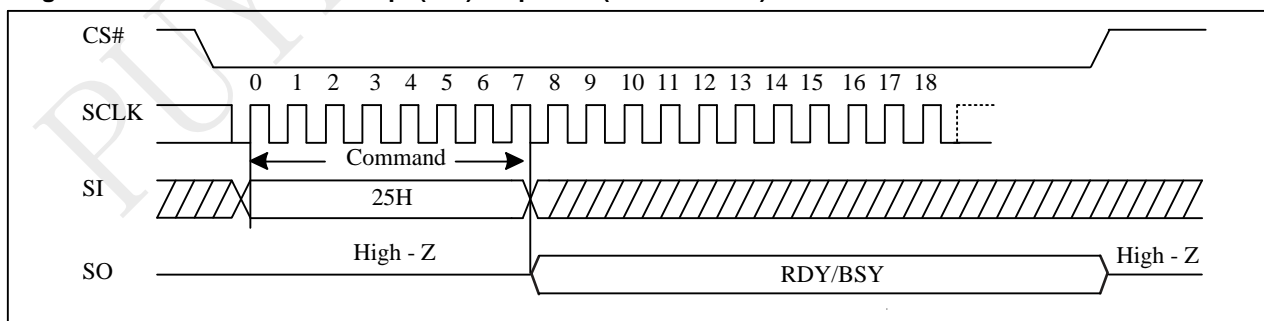
To enable the Active Status Interrupt command, the CS pin must first be asserted and the opcode of 25h must be clocked into the device. For SPI Mode3, at least one dummy bit has to be clocked into the device after the last bit of the opcode has been clocked in. (In most cases, this is most easily done by sending a dummy byte to the device.) The value of the SI line after the opcode is clocked in is of no significance to the operation. For SPI Mode 0, this dummy bit (dummy byte) is not required.

The value of WIP is then output on the SO line, and is continuously updated by the device for as long as the CS pin remains asserted. Additional clocks on the SCK pin are not required. If the WIP bit changes from 1 to 0 while the CS pin is asserted, the SO line will change from 1 to 0. (The WIP bit cannot change from 0 to 1 during an operation, so if the SO line already is 0, it will not change.)

Deasserting the CS pin will terminate the Active Status Interrupt operation and put the SO pin into a high-impedance state. The CS pin can be deasserted at any time and does not require that a full byte of data be read.

The sequence of issuing ASI instruction is: CS# goes low→ sending ASI instruction code→ WIP data out on SO

Figure 10-6 Active Status Interrupt (ASI) Sequence (Command 25)



10.7 Write Status Register (WRSR)

The Write Status Register (WRSR) command allows new values to be written to the Status Register. Before it can be accepted, a Write Enable (WREN) command must previously have been executed. After the Write Enable (WREN) command has been decoded and executed, the device sets the Write Enable Latch (WEL).

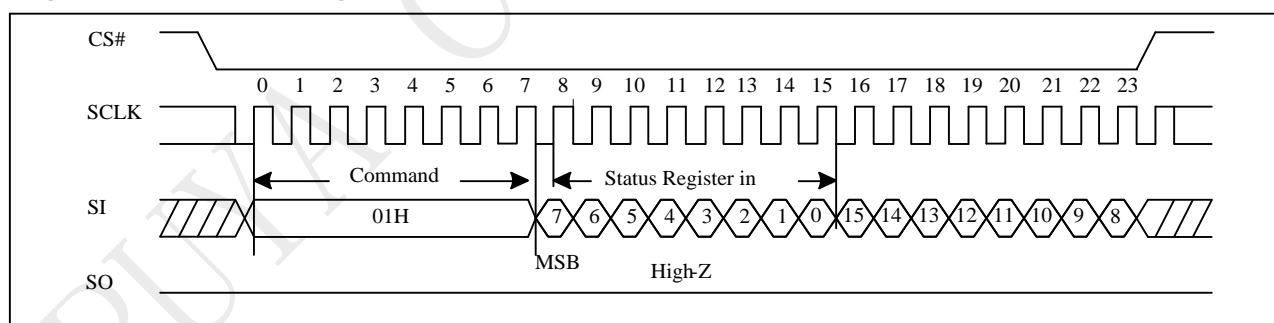
The Write Status Register (WRSR) command has no effect on S15, S10, S1 and S0 of the Status Register. CS# must be driven high after the eighth or sixteen bit of the data byte has been latched in. If not, the Write Status Register (WRSR) command is not executed. If CS# is driven high after eighth bit of the data byte, the CMP and QE and SRP1 bits will be cleared to 0. As soon as CS# is driven high, the self-timed Write Status Register cycle (whose duration is t_W) is initiated. While the Write Status Register cycle is in progress, the Status Register may still be read to check the value of the Write In Progress (WIP) bit. The Write In Progress (WIP) bit is 1 during the self-timed Write Status Register cycle, and is 0 when it is completed. When the cycle is completed, the Write Enable Latch (WEL) is reset.

The Write Status Register (WRSR) command allows the user to change the values of the Block Protect (BP4, BP3, BP2, BP1, and BP0) bits, to define the size of the area that is to be treated as read-only, as defined in Table 1. The Write Status Register (WRSR) command also allows the user to set or reset the Status Register Protect (SRP1 and SRP0) bits in accordance with the Write Protect (WP#) signal. The Status Register Protect (SRP1 and SRP0) bits and Write Protect (WP#) signal allow the device to be put in the Hardware Protected Mode. The Write Status Register (WRSR) command is not executed once the Hardware Protected Mode is entered.

The sequence of issuing WRSR instruction is: CS# goes low → sending WRSR instruction code → Status Register data on SI → CS# goes high.

The CS# must go high exactly at the 8 bits or 16 bits data boundary; otherwise, the instruction will be rejected and not executed. The self-timed Write Status Register cycle time (t_W) is initiated as soon as Chip Select (CS#) goes high. The Write in Progress (WIP) bit still can be checked during the Write Status Register cycle is in progress. The WIP sets 1 during the t_W timing, and sets 0 when Write Status Register Cycle is completed, and the Write Enable Latch (WEL) bit is reset.

Figure 10-7 Write Status Register (WRSR) Sequence (Command 01)

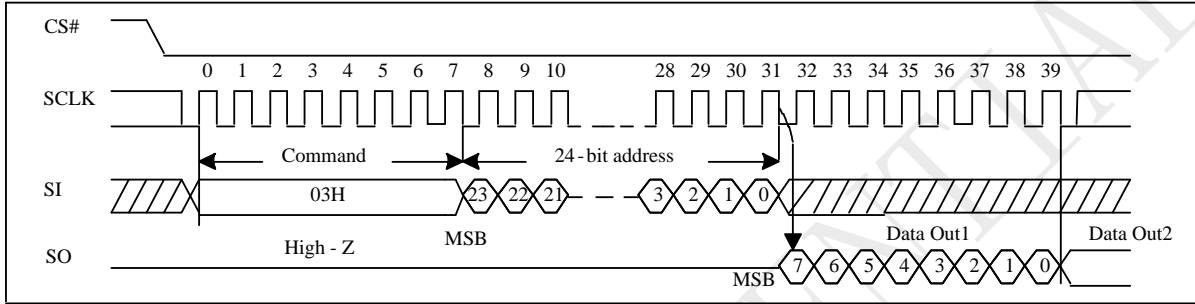


10.8 Read Data Bytes (READ)

The read instruction is for reading data out. The address is latched on rising edge of SCLK, and data shifts out on the falling edge of SCLK at a maximum frequency f_R . The first address byte can be at any location. The address is automatically increased to the next higher address after each byte data is shifted out, so the whole memory can be read out at a single READ instruction. The address counter rolls over to 0 when the highest address has been reached.

The sequence of issuing READ instruction is: CS# goes low → sending READ instruction code → 3-byte address on SI → data out on SO → to end READ operation can use CS# to high at any time during data out.

Figure 10-8 Read Data Bytes (READ) Sequence (Command 03)



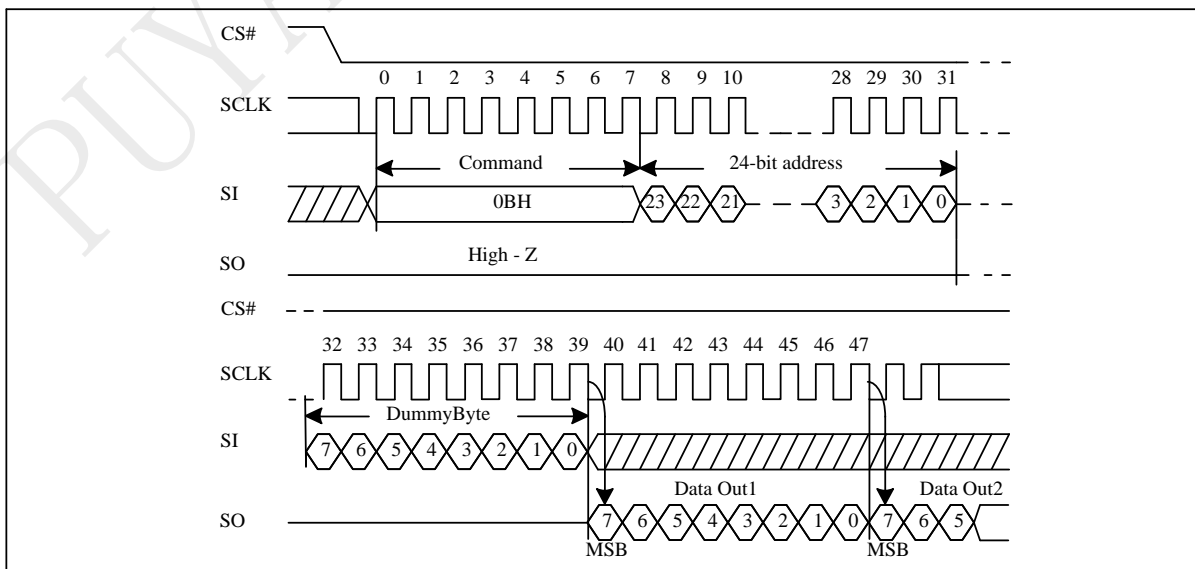
10.9 Read Data Bytes at Higher Speed (FAST_READ)

The FAST_READ instruction is for quickly reading data out. The address is latched on rising edge of SCLK, and data of each bit shifts out on the falling edge of SCLK at a maximum frequency f_C . The first address byte can be at any location. The address is automatically increased to the next higher address after each byte data is shifted out, so the whole memory can be read out at a single FAST_READ instruction. The address counter rolls over to 0 when the highest address has been reached.

The sequence of issuing FAST_READ instruction is: CS# goes low → sending FAST_READ instruction code → 3-byte address on SI → 1-dummy byte address on SI → data out on SO → to end FAST_READ operation can use CS# to high at any time during data out.

While Program/Erase/Write Status Register cycle is in progress, FAST_READ instruction is rejected without any impact on the Program/Erase/Write Status Register current cycle.

Figure 10-9 Read at Higher Speed (FAST_READ) Sequence (Command 0B)



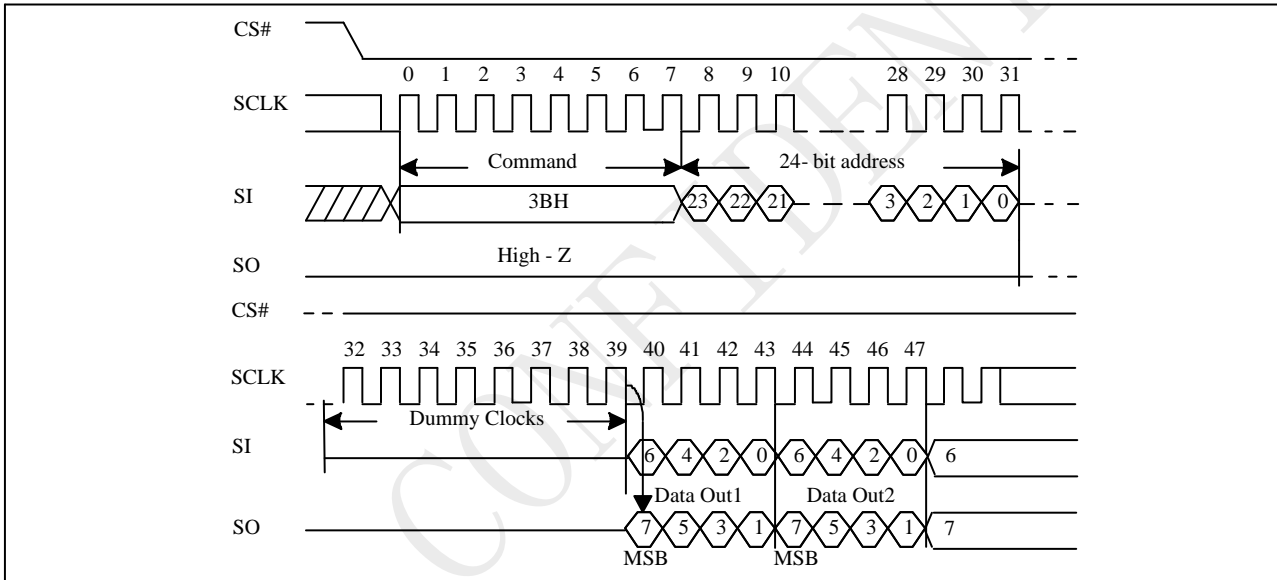
10.10 Dual Read Mode (DREAD)

The DREAD instruction enable double throughput of Serial NOR Flash in read mode. The address is latched on rising edge of SCLK, and data of every two bits (interleave on 2 I/O pins) shift out on the falling edge of SCLK at a maximum frequency f_T . The first address byte can be at any location. The address is automatically increased to the next higher address after each byte data is shifted out, so the whole memory can be read out at a single DREAD instruction. The address counter rolls over to 0 when the highest address has been reached. Once writing DREAD instruction, the following data out will perform as 2-bit instead of previous 1-bit.

The sequence of issuing DREAD instruction is: CS# goes low → sending DREAD instruction → 3-byte address on SI → 8-bit dummy cycle → data out interleave on SIO1 & SIO0 → to end DREAD operation can use CS# to high at any time during data out.

While Program/Erase/Write Status Register cycle is in progress, DREAD instruction is rejected without any impact on the Program/Erase/Write Status Register current cycle.

Figure 10-10 Dual Read Mode Sequence (Command 3B)



10.11 2 X IO Read Mode (2READ)

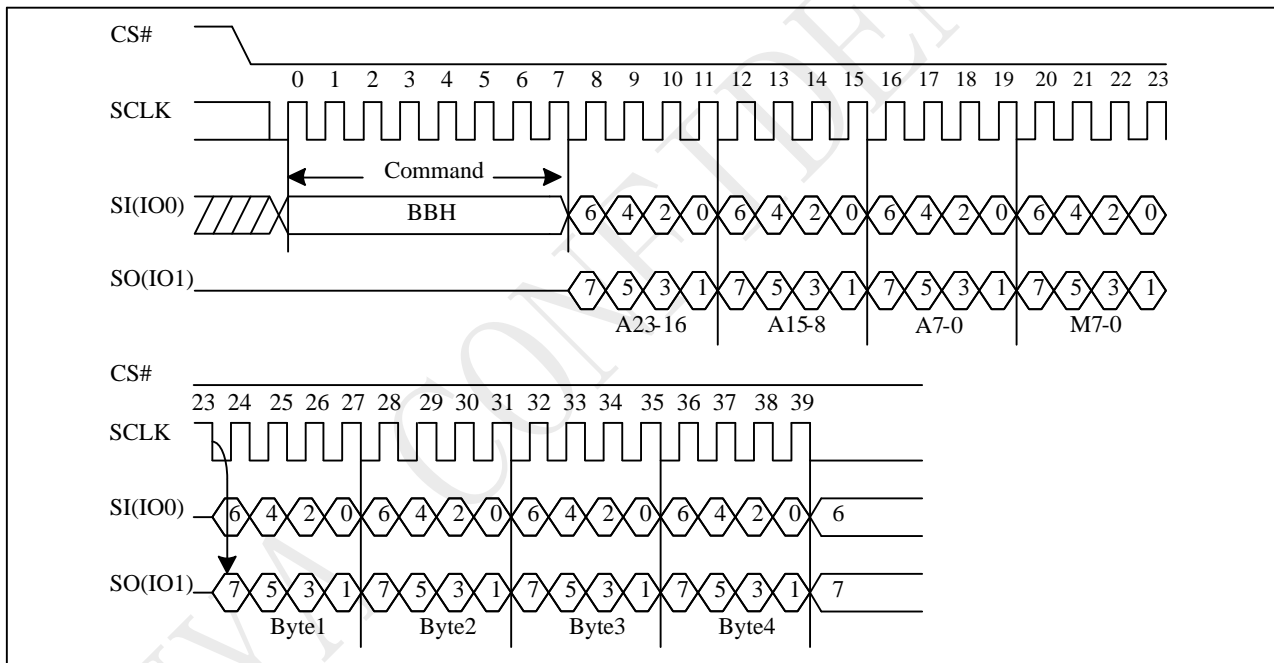
The 2READ instruction enables Double Transfer Rate of Serial NOR Flash in read mode. The address is latched on rising edge of SCLK, and data of every two bits (interleave on 2 I/O pins) shift out on the falling edge of SCLK at a maximum frequency f_T . The first address byte can be at any location. The address is automatically increased to the next higher address after each byte data is shifted out, so the whole memory can be read out at a single 2READ instruction. The address counter rolls over to 0 when the highest address has been reached.

Once writing 2READ instruction, the following address/dummy/data out will perform as 2-bit instead of previous 1-bit.

The sequence of issuing 2READ instruction is: CS# goes low → sending 2READ instruction → 24-bit address interleave on SIO1 & SIO0 → 8-bit dummy cycle on SIO1 & SIO0 → data out interleave on SIO1 & SIO0 → to end 2READ operation can use CS# to high at any time during data out.

While Program/Erase/Write Status Register cycle is in progress, 2READ instruction is rejected without any impact on the Program/Erase/Write Status Register current cycle.

Figure 10-11 2 X IO Read Mode Sequence (Command BB M5-4 ≠ (1,0))

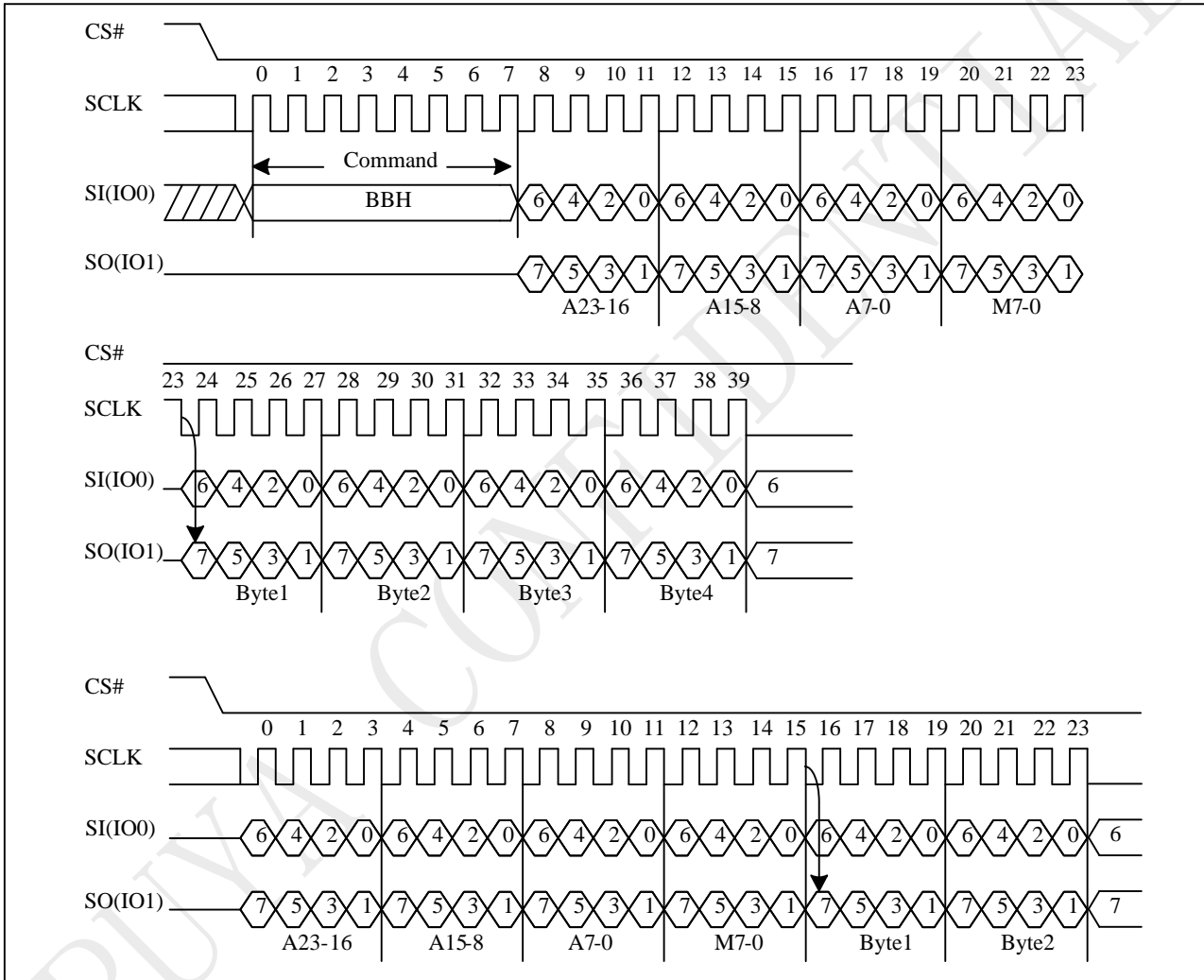


10.12 2 X IO Read Performer Enhance Mode

“BBh” command supports 2 X IO Performance Enhance Mode which can further reduce command overhead through setting the “Continuous Read Mode” bits (M7-0) after the input 3-byte address (A23-A0). If the “Continuous Read Mode” bits (M5-4) = (1, 0), then the next 2 X IO Read command (after CS# is raised and then lowered) does not require the BBH command code.

If the “Continuous Read Mode” bits (M5-4) do not equal (1, 0), the next command requires the first BBH command code, thus returning to normal operation. A “Continuous Read Mode” Reset command can be used to reset (M5-4) before issuing normal command.

Figure 10-12 2 X IO Read Performance Enhance Mode (M5-4 = (1,0))



Note: 2 X IO Read Performance Enhance Mode, if M5-4 = 1, 0. If not using performance enhance recommend to set M5-4 ≠ 1, 0.

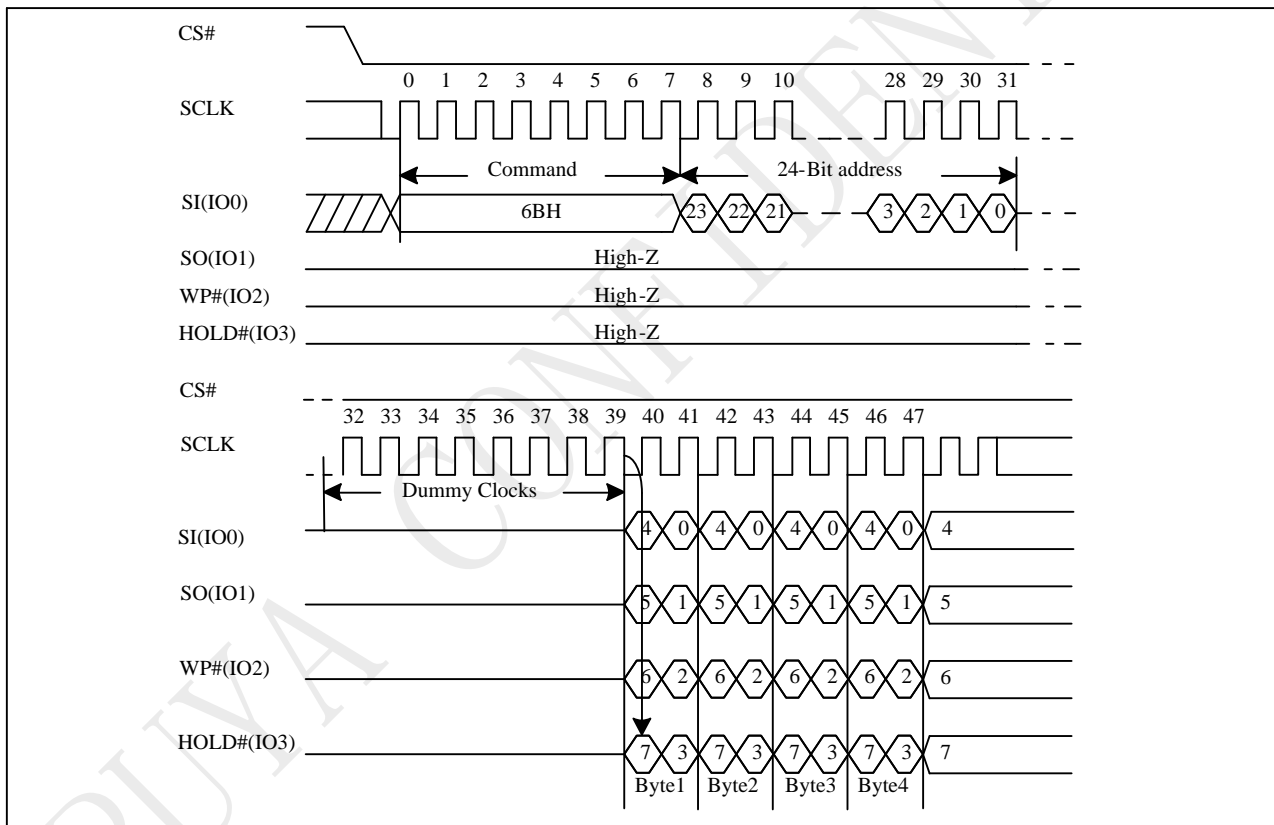
10.13 Quad Read Mode (QREAD)

The QREAD instruction enable quad throughput of Serial NOR Flash in read mode. A Quad Enable (QE) bit of status Register must be set to "1" before sending the QREAD instruction. The address is latched on rising edge of SCLK, and data of every four bits (interleave on 4 I/O pins) shift out on the falling edge of SCLK at a maximum frequency f_Q . The first address byte can be at any location. The address is automatically increased to the next higher address after each byte data is shifted out, so the whole memory can be read out at a single QREAD instruction. The address counter rolls over to 0 when the highest address has been reached. Once writing QREAD instruction, the following data out will perform as 4-bit instead of previous 1-bit.

The sequence of issuing QREAD instruction is: CS# goes low → sending QREAD instruction → 3-byte address on SI → 8-bit dummy cycle → data out interleave on SIO3, SIO2, SIO1 & SIO0 → to end QREAD operation can use CS# to high at any time during data out.

While Program/Erase/Write Status Register cycle is in progress, QREAD instruction is rejected without any impact on the Program/Erase/Write Status Register current cycle.

Figure 10-13 Quad Read Mode Sequence (Command 6B)



10.14 4 X IO Read Mode (4READ)

The 4READ instruction enable quad throughput of Serial NOR Flash in read mode. A Quad Enable (QE) bit of status Register must be set to "1" before sending the 4READ instruction. The address is latched on rising edge of SCLK, and data of every four bits (interleave on 4 I/O pins) shift out on the falling edge of SCLK at a maximum frequency fQ. The first address byte can be at any location. The address is automatically increased to the next higher address after each byte data is shifted out, so the whole memory can be read out at a single 4READ instruction. The address counter rolls over to 0 when the highest address has been reached. Once writing 4READ instruction, the following address/dummy/data out will perform as 4-bit instead of previous 1-bit.

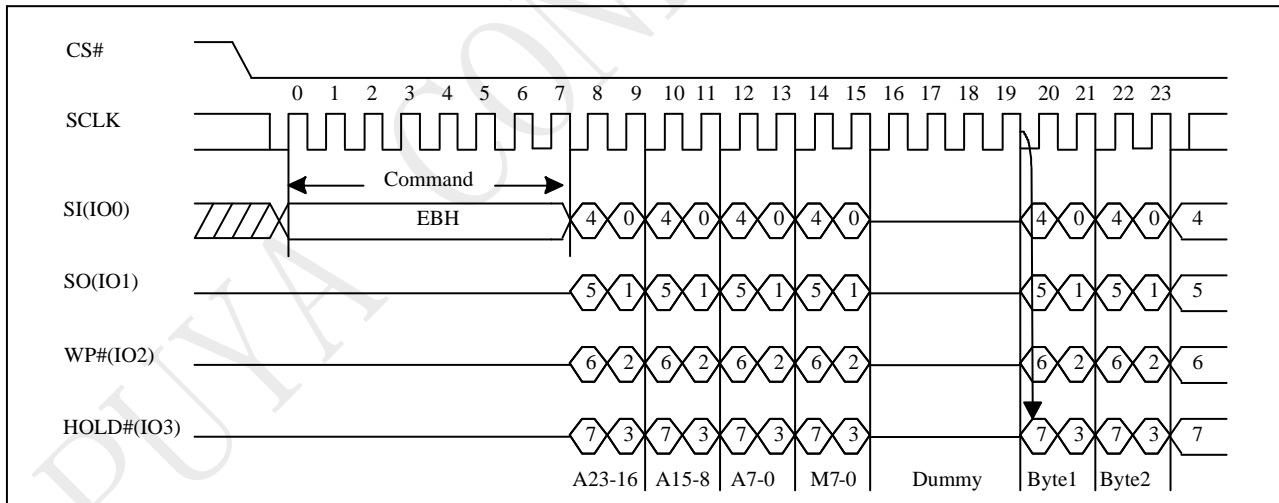
The sequence of issuing 4READ instruction is: CS# goes low → sending 4READ instruction → 24-bit address interleave on SIO3, SIO2, SIO1 & SIO0 → 2+4 dummy cycles → data out interleave on SIO3, SIO2, SIO1 & SIO0 → to end 4READ operation can use CS# to high at any time during data out.

Another sequence of issuing 4READ instruction especially useful in random access is: CS# goes low → sending 4READ instruction → 3-bytes address interleave on SIO3, SIO2, SIO1 & SIO0 → "Continuous Read Mode" byte M[7:0] → 4 dummy cycles → data out still CS# goes high → CS# goes low (reduce 4 Read instruction) → 24-bit random access address.

In the performance-enhancing mode, the "Continuous Read Mode" bits M[5:4] = (1,0) can make this mode continue and reduce the next 4READ instruction. Once M[5:4] ≠ (1,0) and afterwards CS# is raised and then lowered, the system then will escape from performance enhance mode and return to normal operation. A "Continuous Read Mode" Reset command can be used to reset (M5-4) before issuing normal command

While Program/Erase/Write Status Register cycle is in progress, 4READ instruction is rejected without any impact on the Program/Erase/Write Status Register current cycle.

Figure 10-14 4 X IO Read Mode Sequence (Command EB M5-4 ≠ (1,0))



Note:

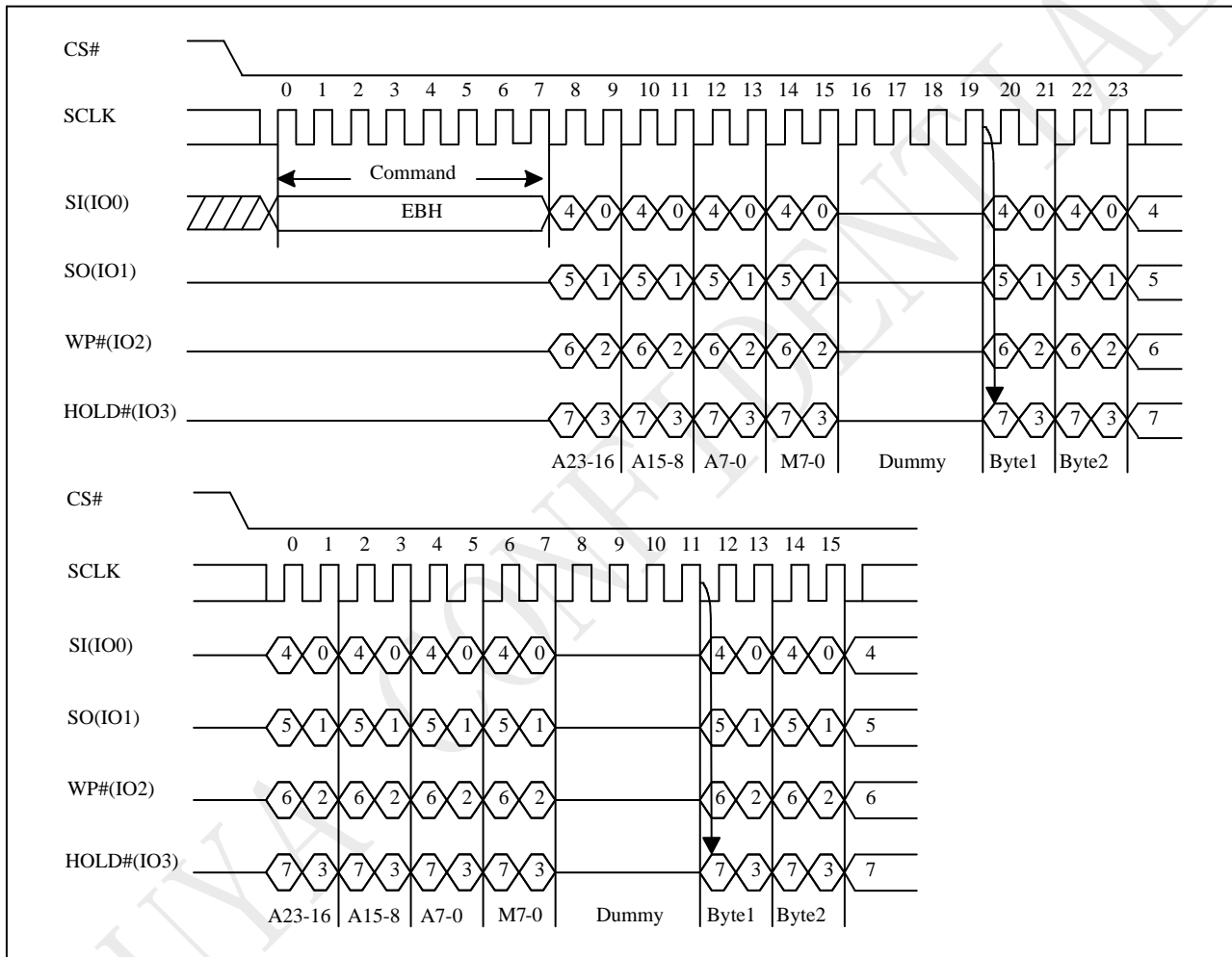
1. Hi-impedance is inhibited for the two clock cycles.
2. M[5-4] = (1,0) is inhibited.

10.15 4 X IO Read Performance Enhance Mode

“EBh” command supports 4 X IO Performance Enhance Mode which can further reduce command overhead through setting the “Continuous Read Mode” bits (M7-0) after the input 3-byte address (A23-A0). If the “Continuous Read Mode” bits (M5-4) = (1, 0), then the next 4 X IO Read command (after CS# is raised and then lowered) does not require the EBH command code.

If the “Continuous Read Mode” bits (M5-4) do not equal (1, 0), the next command requires the first EBH command code, thus returning to normal operation. A “Continuous Read Mode” Reset command can be used to reset (M5-4) before issuing normal command.

Figure 10-15 4 x I/O Read Performance Enhance Mode Sequence (M5-4 = (1,0))



Note: 1. 4 X IO Read Performance Enhance Mode, if M5-4 = 1, 0. If not using performance enhance recommend to set M5-4 ≠ 1, 0.

10.16 Burst Read

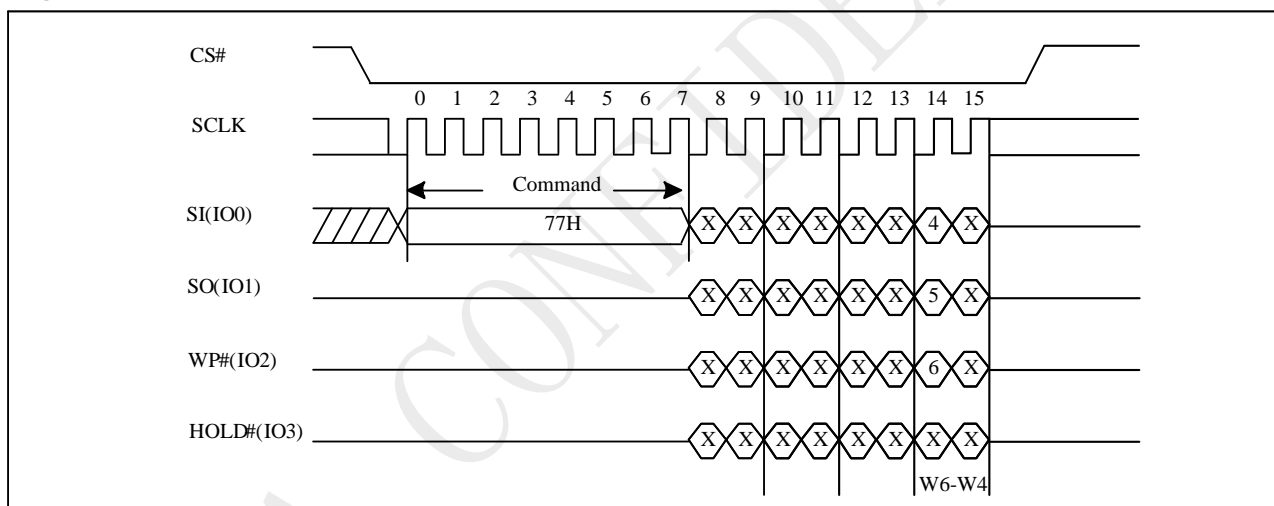
The Set Burst with Wrap command is used in conjunction with “4 X IO Read” command to access a fixed length of 8/16/32/64-byte section within a 256-byte page, in standard SPI mode.

The Set Burst with Wrap command sequence: CS# goes low → Send Set Burst with Wrap command → Send 24 dummy bits → Send 8 bits “Wrap bits” → CS# goes high.

| W6,W5 | W4=0 | | W4=1 (default) | |
|-------|------------|-------------|----------------|-------------|
| | Wrap Aroud | Wrap Length | Wrap Aroud | Wrap Length |
| 0,0 | Yes | 8-byte | No | N/A |
| 0,1 | Yes | 16-byte | No | N/A |
| 1,0 | Yes | 32-byte | No | N/A |
| 1,1 | Yes | 64-byte | No | N/A |

If the W6-W4 bits are set by the Set Burst with Wrap command, all the following “4 X IO Read” command will use the W6-W4 setting to access the 8/16/32/64-byte section within any page. To exit the “Wrap Around” function and return to normal read operation, another Set Burst with Wrap command should be issued to set W4=1.

Figure 10-16 Burst Read (SBL) Sequence (Command 77)



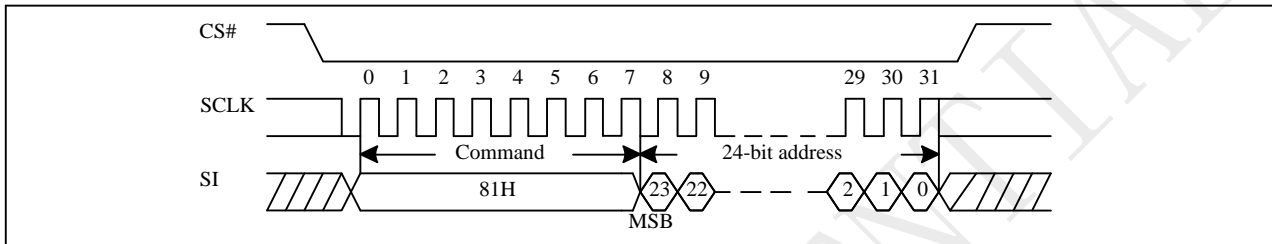
10.17 Page Erase (PE)

The Page Erase (PE) instruction is for erasing the data of the chosen Page to be "1". A Write Enable (WREN) instruction must execute to set the Write Enable Latch (WEL) bit before sending the Page Erase (PE).

To perform a Page Erase with the standard page size (256 bytes), an opcode of 81h must be clocked into the device followed by three address bytes comprised of 2 page address bytes that specify the page in the main memory to be erased, and 1 dummy byte.

The sequence of issuing PE instruction is: CS# goes low → sending PE instruction code → 3-byte address on SI → CS# goes high.

Figure 10-17 Page Erase Sequence (Command 81)



10.18 Sector Erase (SE)

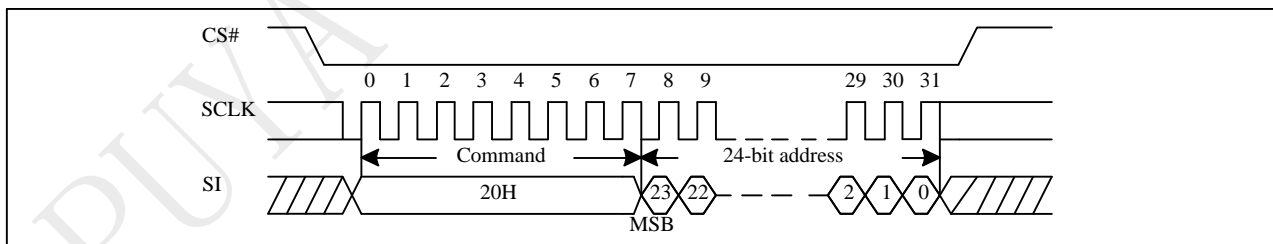
The Sector Erase (SE) instruction is for erasing the data of the chosen sector to be "1". A Write Enable (WREN) instruction must execute to set the Write Enable Latch (WEL) bit before sending the Sector Erase (SE). Any address of the sector is a valid address for Sector Erase (SE) instruction. The CS# must go high exactly at the byte boundary (the latest eighth of address byte been latched-in); otherwise, the instruction will be rejected and not executed.

Address bits [Am-A12] (Am is the most significant address) select the sector address.

The sequence of issuing SE instruction is: CS# goes low → sending SE instruction code → 3-byte address on SI → CS# goes high.

The SIO[3:1] are don't care.

Figure 10-18 Sector Erase (SE) Sequence (Command 20)



The self-timed Sector Erase Cycle time (t_{SE}) is initiated as soon as Chip Select (CS#) goes high. The Write in progress (WIP) bit still can be check out during the Sector Erase cycle is in progress. The WIP sets 1 during the t_{SE} timing, and sets 0 when Sector Erase Cycle is completed, and the Write Enable Latch (WEL) bit is reset. If the sector is protected by BP4, BP3, BP2, BP1, BP0 bits, the Sector Erase (SE) instruction will not be executed on the sector.

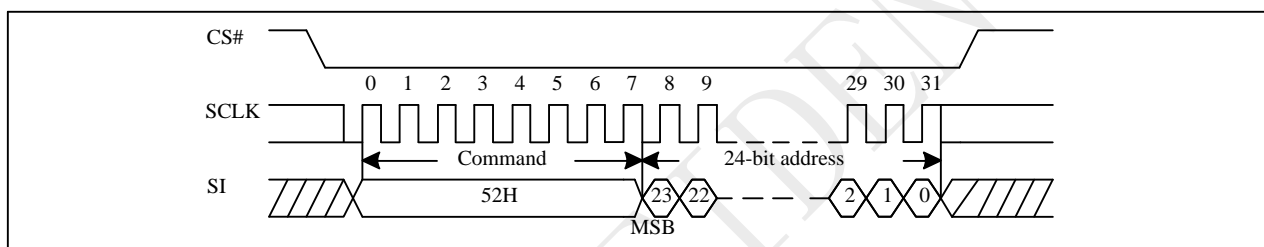
10.19 Block Erase (BE32K)

The Block Erase (BE32K) instruction is for erasing the data of the chosen block to be "1". The instruction is used for 32K-byte block erase operation. A Write Enable (WREN) instruction must be executed to set the Write Enable Latch (WEL) bit before sending the Block Erase (BE32K). Any address of the block is a valid address for Block Erase (BE32K) instruction. The CS# must go high exactly at the byte boundary (the least significant bit of address byte has been latched-in); otherwise, the instruction will be rejected and not executed.

The sequence of issuing BE32K instruction is: CS# goes low → sending BE32K instruction code → 3-byte address on SI → CS# goes high. The SIO[3:1] are don't care.

The self-timed Block Erase Cycle time (tBE32K) is initiated as soon as Chip Select (CS#) goes high. The Write in Progress (WIP) bit still can be checked while the Block Erase cycle is in progress. The WIP sets during the tBE32K timing, and clears when Block Erase Cycle is completed, and the Write Enable Latch (WEL) bit is cleared. If the block is protected by BP4, BP3, BP2, BP1, BP0 bits, the array data will be protected (no change) and the WEL bit still be reset.

Figure 10-19 Block Erase 32K(BE32K) Sequence (Command 52)



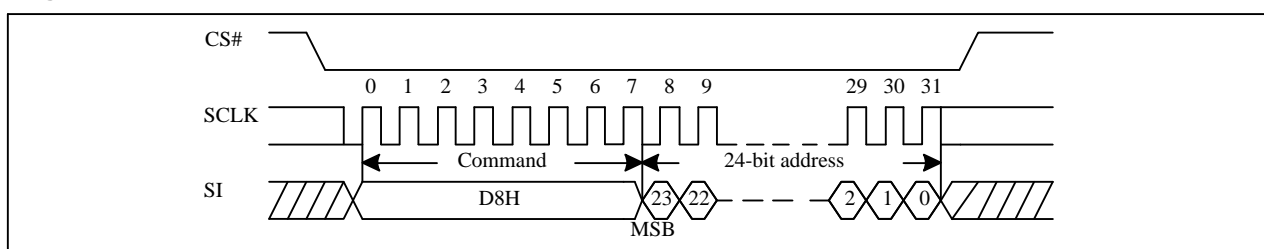
10.20 Block Erase (BE)

The Block Erase (BE) instruction is for erasing the data of the chosen block to be "1". The instruction is used for 64K-byte block erase operation. A Write Enable (WREN) instruction must execute to set the Write Enable Latch (WEL) bit before sending the Block Erase (BE). Any address of the block is a valid address for Block Erase (BE) instruction. The CS# must go high exactly at the byte boundary (the latest eighth of address byte been latched-in); otherwise, the instruction will be rejected and not executed.

The sequence of issuing BE instruction is: CS# goes low → sending BE instruction code → 3-byte address on SI → CS# goes high. The SIO[3:1] are "don't care".

The self-timed Block Erase Cycle time (tBE) is initiated as soon as Chip Select (CS#) goes high. The Write in Progress (WIP) bit still can be checked during the Block Erase cycle is in progress. The WIP sets 1 during the tBE timing, and sets 0 when Block Erase Cycle is completed, and the Write Enable Latch (WEL) bit is reset. If the block is protected by BP4, BP3, BP2, BP1, BP0 bits, the Block Erase (BE) instruction will not be executed on the block.

Figure 10-20 Block Erase (BE) Sequence (Command D8)



10.21 Chip Erase (CE)

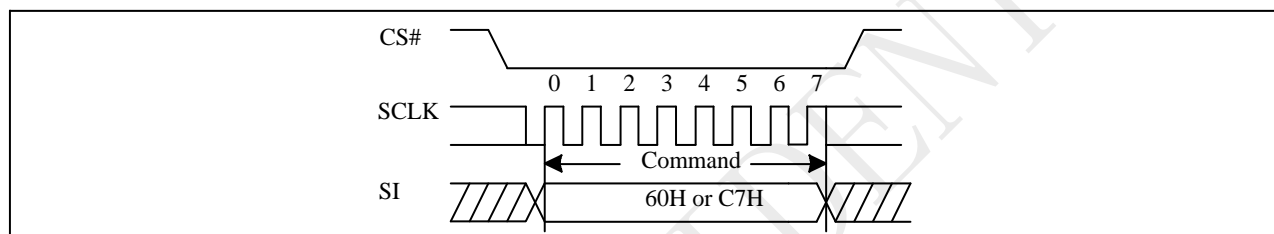
The Chip Erase (CE) instruction is for erasing the data of the whole chip to be "1". A Write Enable (WREN) instruction must execute to set the Write Enable Latch (WEL) bit before sending the Chip Erase (CE). The CS# must go high exactly at the byte boundary (the latest eighth of address byte been latched-in); otherwise, the instruction will be rejected and not executed.

The sequence of issuing CE instruction is: CS# goes low→ sending CE instruction code→ CS# goes high.

The SIO[3:1] are "don't care".

The self-timed Chip Erase Cycle time (t_{CE}) is initiated as soon as Chip Select (CS#) goes high. The Write in Progress (WIP) bit still can be checked during the Chip Erase cycle is in progress. The WIP sets 1 during the t_{CE} timing, and sets 0 when Chip Erase Cycle is completed, and the Write Enable Latch (WEL) bit is reset. If the chip is protected by BP4, BP3, BP2, BP1, BP0 bits, the Chip Erase (CE) instruction will not be executed. It will be only executed when all Block Protect (BP4, BP3, BP2, BP1, BP0) are set to "None protected".

Figure 10-21 Chip Erase (CE) Sequence (Command 60 or C7)



10.22 Page Program (PP)

The Page Program (PP) instruction is for programming the memory to be "0". A Write Enable (WREN) instruction must execute to set the Write Enable Latch (WEL) bit before sending the Page Program (PP). The device programs only the last 256 data bytes sent to the device. If the entire 256 data bytes are going to be programmed, A7-A0 (The eight least significant address bits) should be set to 0. If the eight least significant address bits (A7-A0) are not all 0, all transmitted data going beyond the end of the current page are programmed from the start address of the same page (from the address A7-A0 are all 0). If more than 256 bytes are sent to the device, the data of the last 256-byte is programmed at the request page and previous data will be disregarded. If less than 256 bytes are sent to the device, the data is programmed at the requested address of the page.

For the very best performance, programming should be done in full pages of 256 bytes aligned on 256 byte boundaries with each Page being programmed only once. Using the Page Program (PP) command to load an entire page, within the page boundary, will save overall programming time versus loading less than a page into the program buffer.

It is possible to program from one byte up to a page size in each Page programming operation. Please refer to the P25Q serial flash application note for multiple byte program operation within one page.

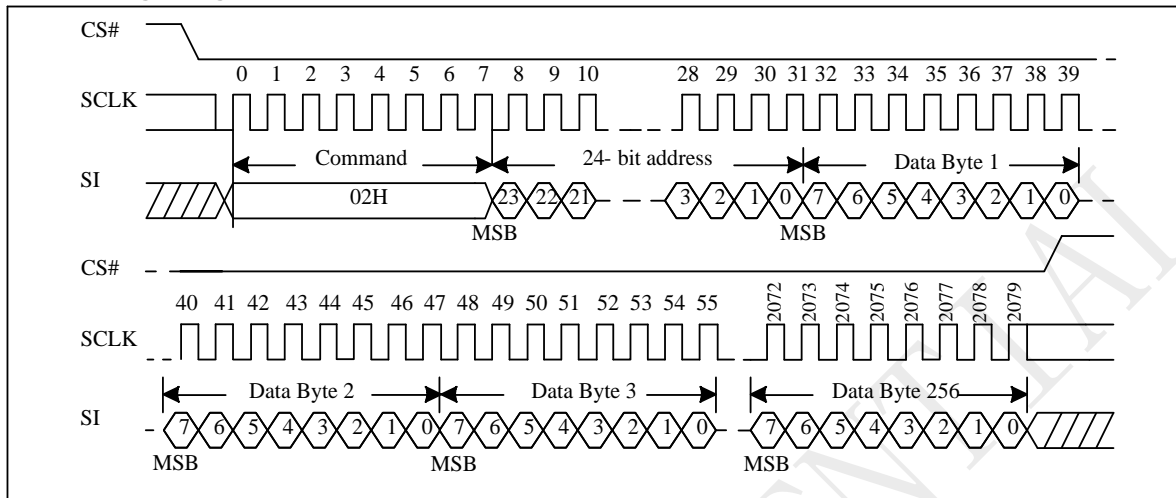
The sequence of issuing PP instruction is: CS# goes low→ sending PP instruction code→ 3-byte address on SI→ at least 1-byte on data on SI→ CS# goes high.

The CS# must be kept low during the whole Page Program cycle; The CS# must go high exactly at the byte boundary (the latest eighth bit of data being latched in), otherwise the instruction will be rejected and will not be executed.

The self-timed Page Program Cycle time (t_{PP}) is initiated as soon as Chip Select (CS#) goes high. The Write in Progress (WIP) bit still can be checked during the Page Program cycle is in progress. The WIP sets 1

during the tPP timing, and sets 0 when Page Program Cycle is completed, and the Write Enable Latch (WEL) bit is reset. If the page is protected by BP4, BP3, BP2, BP1, BP0 bits, the Page Program (PP) instruction will not be executed. The SIO[3:1] are "don't care".

Figure 10-22 Page Program (PP) Sequence (Command 02)



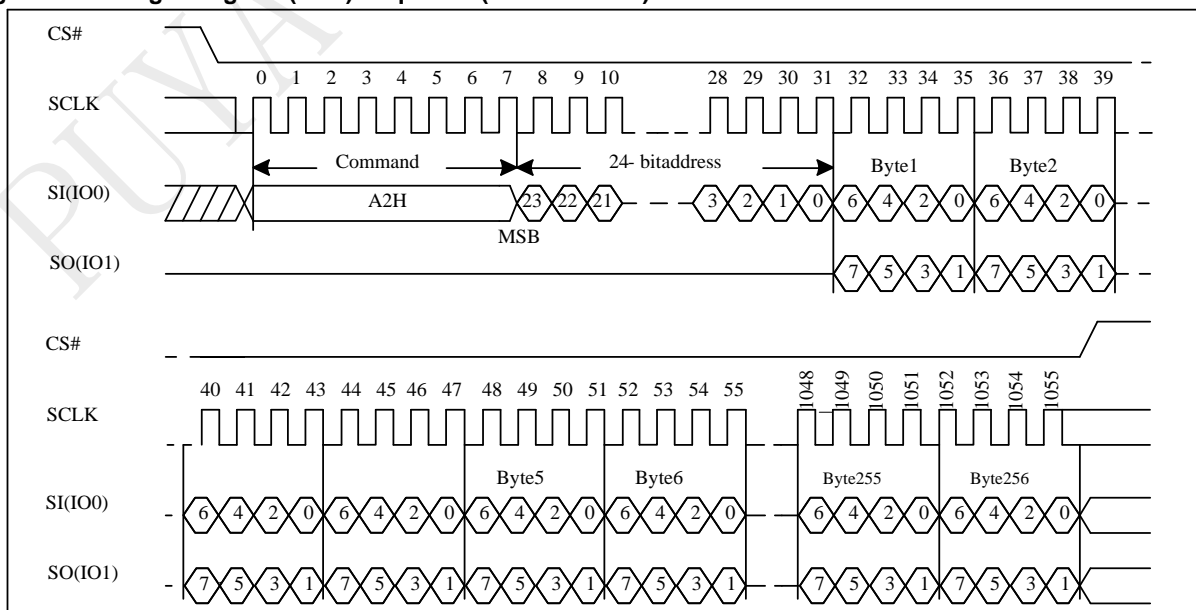
10.23 Dual Input Page Program (DPP)

The Dual Input Page Program (DPP) instruction is similar to the standard Page Program command and can be used to program anywhere from a single byte of data up to 256 bytes of data into previously erased memory locations. The Dual-Input Page Program command allows two bits of data to be clocked into the device on every clock cycle rather than just one.

A Write Enable (WREN) instruction must execute to set the Write Enable Latch (WEL) bit before sending the Dual Input Page Program (DPP). The Dual Input Page Programming takes two pins: SIO0, SIO1 as data input, which can improve programmer performance and the effectiveness of application. The other function descriptions are as same as standard page program.

The sequence of issuing DPP instruction is: CS# goes low → sending DPP instruction code → 3-byte address on SI → at least 1-byte on data on SIO[1:0] → CS# goes high.

Figure 10-23 Page Program (DPP) Sequence (Command A2)

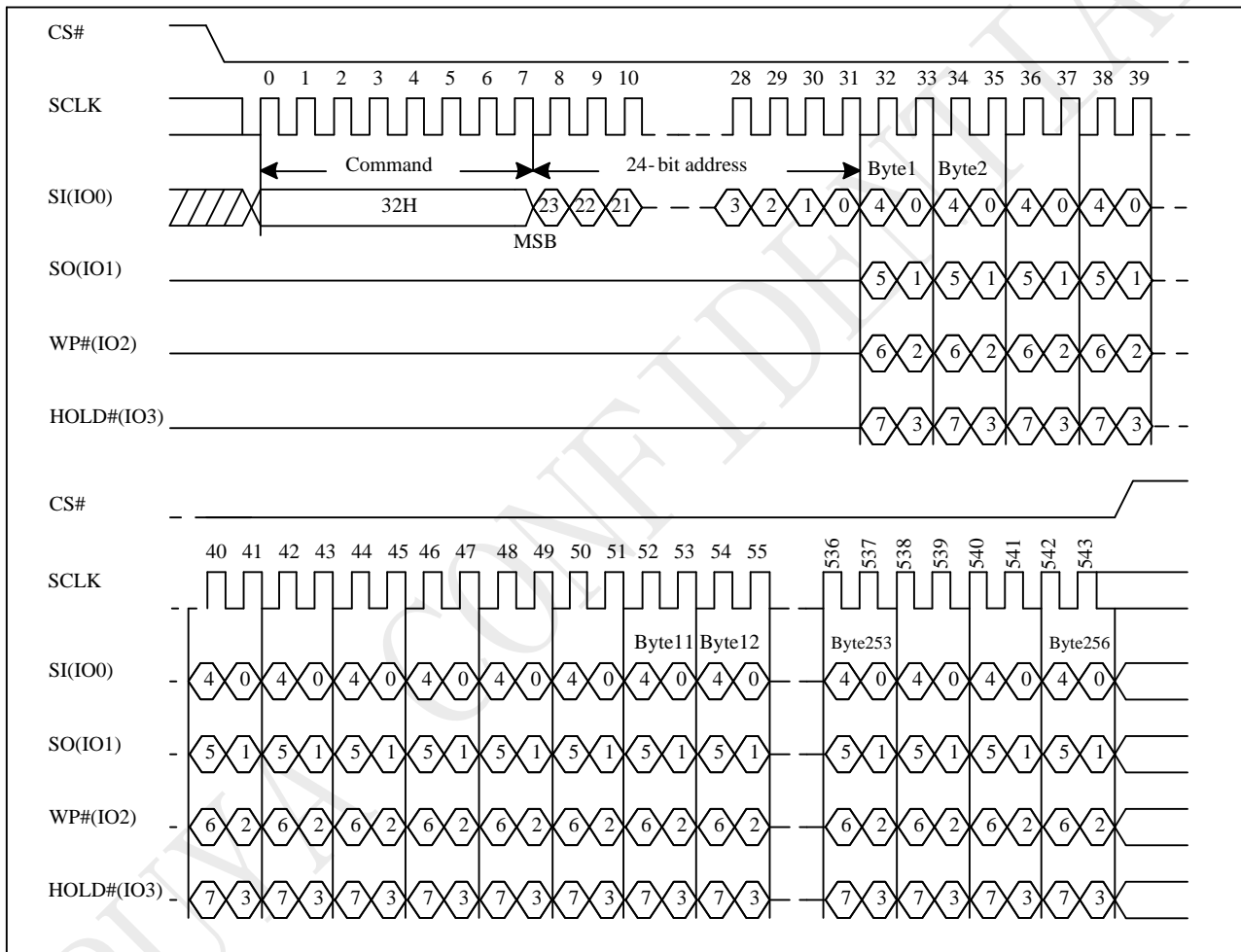


10.24 Quad Page Program (QPP)

The Quad Page Program (QPP) instruction is for programming the memory to be "0". A Write Enable (WREN) instruction must execute to set the Write Enable Latch (WEL) bit and Quad Enable (QE) bit must be set to "1" before sending the Quad Page Program (QPP). The Quad Page Programming takes four pins: SIO0, SIO1, SIO2, and SIO3 as data input, which can improve programmer performance and the effectiveness of application. The QPP operation frequency supports as fast as fQPP. The other function descriptions are as same as standard page program.

The sequence of issuing QPP instruction is: CS# goes low → sending QPP instruction code → 3-byte address on SIO0 → at least 1-byte on data on SIO[3:0] → CS# goes high.

Figure 10-24 Quad Page Program (QPP) Sequence (Command 32)



10.25 Erase Security Registers (ERSCUR)

The product provides three 512-byte Security Registers which can be erased and programmed individually. These registers may be used by the system manufacturers to store security and other important information separately from the main memory array.

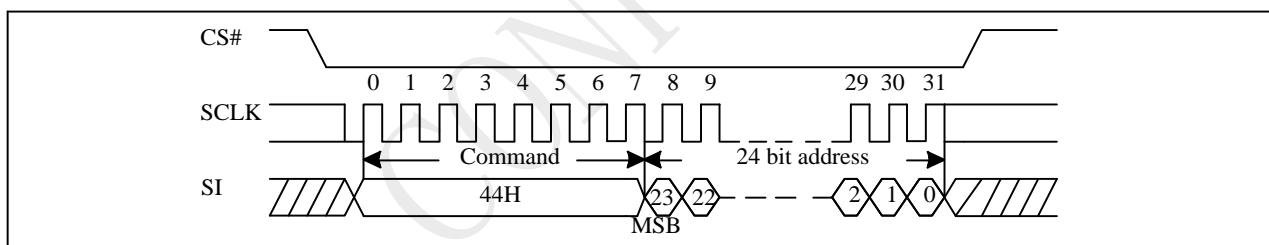
The Erase Security Registers command is similar to Sector/Block Erase command. A Write Enable (WREN) command must previously have been executed to set the Write Enable Latch (WEL) bit.

The Erase Security Registers command sequence: CS# goes low → sending ERSCUR instruction → sending 24 bit address → CS# goes high.

CS# must be driven high after the eighth bit of the command code has been latched in; otherwise the Erase Security Registers command is not executed. As soon as CS# is driven high, the self-timed Erase Security Registers cycle (whose duration is t_{SE}) is initiated. While the Erase Security Registers cycle is in progress, the Status Register may be read to check the value of the Write in Progress (WIP) bit. The Write in Progress (WIP) bit is 1 during the self-timed Erase Security Registers cycle, and is 0 when it is completed. The Security Registers Lock Bit (LB3-1) in the Status Register can be used to OTP protect the security registers. Once the LB bit is set to 1, the Security Registers will be permanently locked; the Erase Security Registers command will be ignored.

| Address | A23-16 | A15-12 | A11-9 | A8-0 |
|----------------------|--------|--------|-------|------------|
| Security Register #1 | 00H | 0001 | 000 | Don't care |
| Security Register #2 | 00H | 0010 | 000 | Don't care |
| Security Register #3 | 00H | 0011 | 000 | Don't care |

Figure 10-25 Erase Security Registers (ERSCUR) Sequence (Command 44)



10.26 Program Security Registers (PRSCUR)

The Program Security Registers command is similar to the Page Program command. It allows from 1 to 512bytes Security Registers data to be programmed. A Write Enable (WREN) command must previously have been executed to set the Write Enable Latch (WEL) bit before sending the Program Security Registers command.

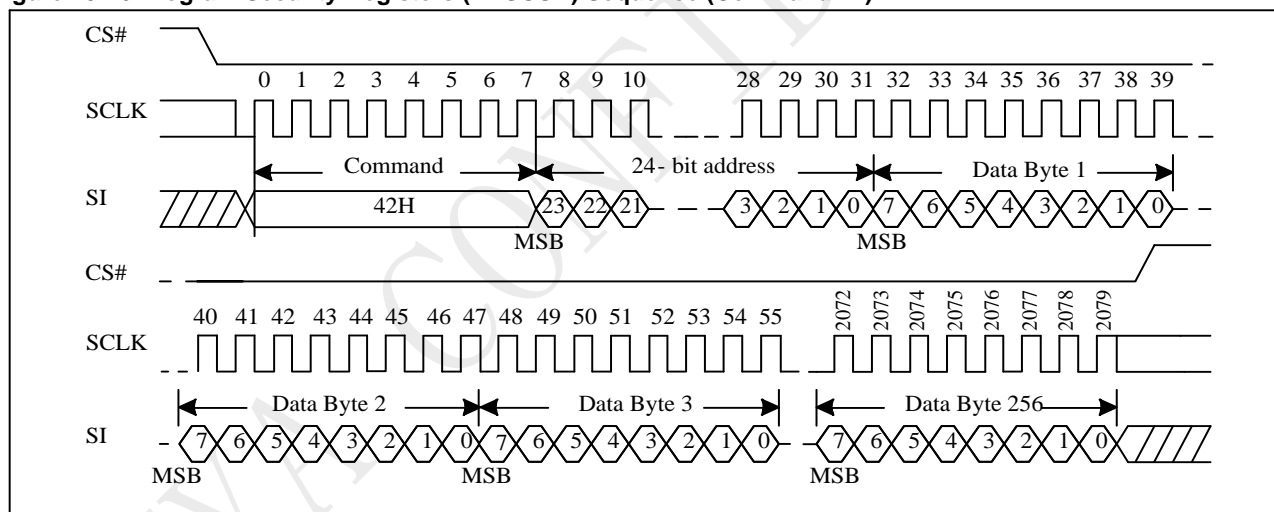
The Program Security Registers command sequence: CS# goes low → sending PRSCUR instruction → sending 24 bit address → sending at least one byte data → CS# goes high.

As soon as CS# is driven high, the self-timed Program Security Registers cycle (whose duration is tPP) is initiated. While the Program Security Registers cycle is in progress, the Status Register may be read to check the value of the Write in Progress (WIP) bit. The Write in Progress (WIP) bit is 1 during the self-timed Program Security Registers cycle, and is 0 when it is completed.

If the Security Registers Lock Bit (LB3-1) is set to 1, the Security Registers will be permanently locked. Program Security Registers command will be ignored.

| Address | A23-16 | A15-12 | A11-9 | A8-0 |
|----------------------|--------|--------|-------|--------------|
| Security Register #1 | 00H | 0001 | 000 | Byte Address |
| Security Register #2 | 00H | 0010 | 000 | Byte Address |
| Security Register #3 | 00H | 0011 | 000 | Byte Address |

Figure 10-26 Program Security Registers (PRSCUR) Sequence (Command 42)



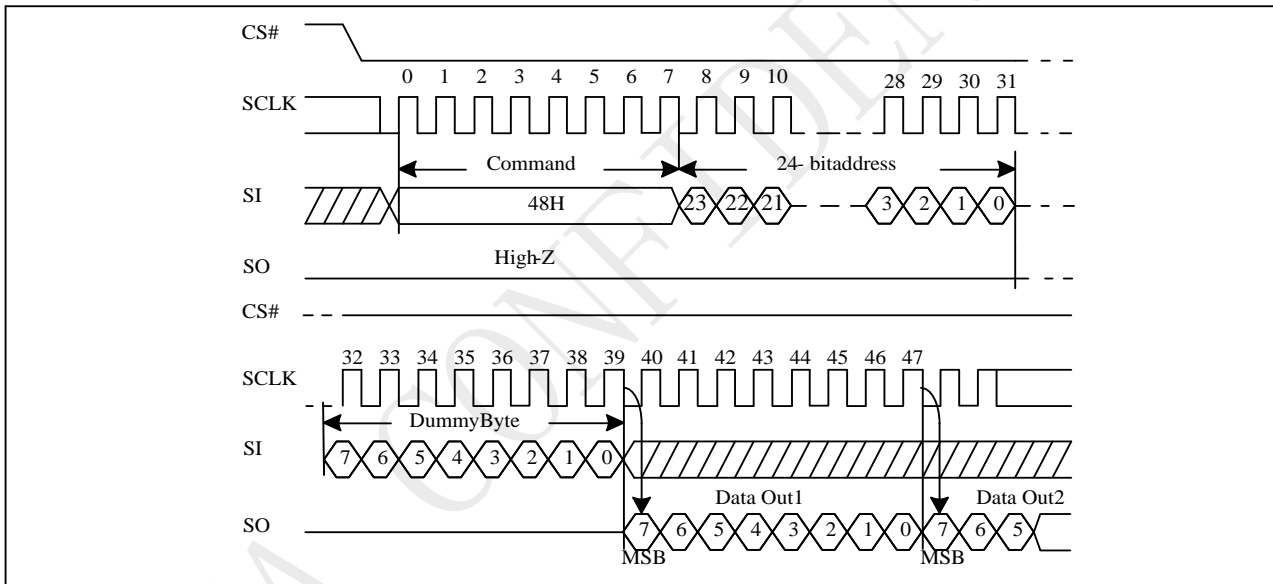
10.27 Read Security Registers (RDSCUR)

The Read Security Registers command is similar to Fast Read command. The command is followed by a 3-byte address (A23-A0) and a dummy byte, each bit being latched-in during the rising edge of SCLK. Then the memory content, at that address, is shifted out on SO, each bit being shifted out, at a Max frequency f_C , during the falling edge of SCLK. The first byte addressed can be at any location. The address is automatically incremented to the next higher address after each byte of data is shifted out. Once the A8-A0 address reaches the last byte of the register (Byte 1FFH), it will reset to 000H, the command is completed by driving CS# high.

The sequence of issuing RDSCUR instruction is : CS# goes low → sending RDSCUR instruction → sending 24 bit address → 8 bit dummy byte → Security Register data out on SO → CS# goes high.

| Address | A23-16 | A15-12 | A11-9 | A8-0 |
|----------------------|--------|--------|-------|--------------|
| Security Register #1 | 00H | 0001 | 000 | Byte Address |
| Security Register #2 | 00H | 0010 | 000 | Byte Address |
| Security Register #3 | 00H | 0011 | 000 | Byte Address |

Figure 10-27 Read Security Registers (RDSCUR) Sequence (Command 48)



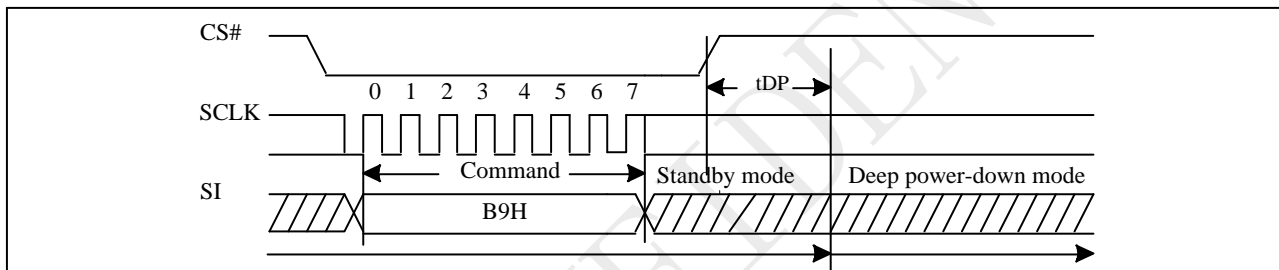
10.28 Deep Power-down (DP)

The Deep Power-down (DP) instruction is for setting the device on the minimizing the power consumption (to entering the Deep Power-down mode), the standby current is reduced from ISB1 to ISB2). The Deep Power-down mode requires the Deep Power-down (DP) instruction to enter, during the Deep Power-down mode, the device is not active and all Write/Program/Erase instruction are ignored. When CS# goes high, it's only in standby mode not deep power-down mode. It's different from Standby mode.

The sequence of issuing DP instruction is: CS# goes low → sending DP instruction code → CS# goes high.

Once the DP instruction is set, all instruction will be ignored except the Release from Deep Power-down mode (RDP) and Read Electronic Signature (RES) instruction. (RES instruction to allow the ID been read out). When Power-down, the deep power-down mode automatically stops, and when power-up, the device automatically is in standby mode. For RDP instruction the CS# must go high exactly at the byte boundary (the latest eighth bit of instruction code been latched-in); otherwise, the instruction will not be executed. As soon as Chip Select (CS#) goes high, a delay of t_{DP} is required before entering the Deep Power-down mode and reducing the current to ISB2.

Figure 10-28 Deep Power-down (DP) Sequence (Command B9)



10.29 Release from Deep Power-Down (RDP), Read Electronic Signature (RES)

The Release from Deep Power-down (RDP) instruction is terminated by driving Chip Select (CS#) High. When Chip Select (CS#) is driven high, the device is put in the Stand-by Power mode. If the device was not previously in the Deep Power-down mode, the transition to the Stand-by Power mode is immediate. If the device was previously in the Deep Power-down mode, though, the transition to the Stand-by Power mode is delayed by t_{RES2} , and Chip Select (CS#) must remain High for at least $t_{RES2}(max)$. Once in the Stand-by Power mode, the device waits to be selected, so that it can receive, decode and execute instructions.

RES instruction is for reading out the old style of 8-bit Electronic Signature, whose values are shown as table of ID Definitions. This is not the same as RDID instruction. It is not recommended to use for new design. For new design, please use RDID instruction. Even in Deep power-down mode, the RDP and RES are also allowed to be executed, only except the device is in progress of program/erase/write cycle; there's no effect on the current program/erase/ write cycle in progress.

The RES instruction is ended by CS# goes high after the ID been read out at least once. The ID outputs repeatedly if continuously send the additional clock cycles on SCLK while CS# is at low. If the device was not previously in Deep Power-down mode, the device transition to standby mode is immediate. If the device was previously in Deep Power-down mode, there's a delay of t_{RES2} to transit to standby mode, and CS# must remain to high at least $t_{RES2}(max)$. Once in the standby mode, the device waits to be selected, so it can be receive, decode, and execute instruction.

The RDP instruction is for releasing from Deep Power-Down Mode.

Figure 10-29 Read Electronic Signature (RES) Sequence (Command AB)

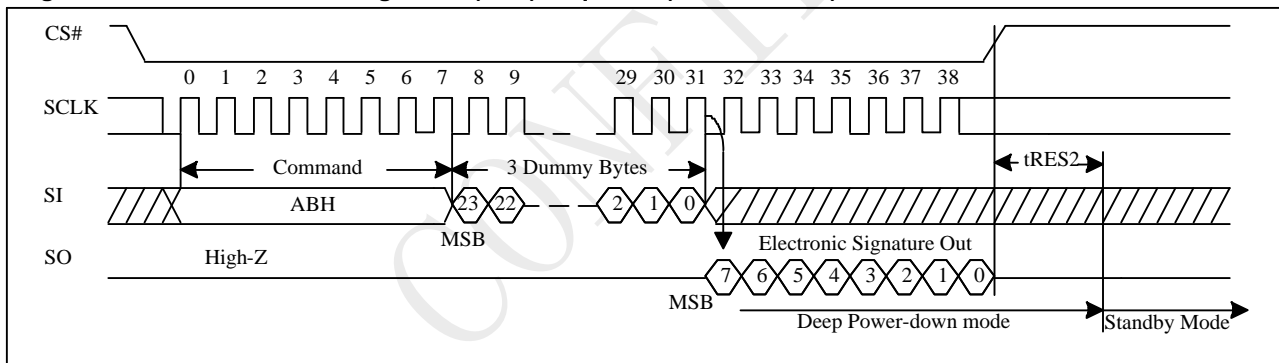
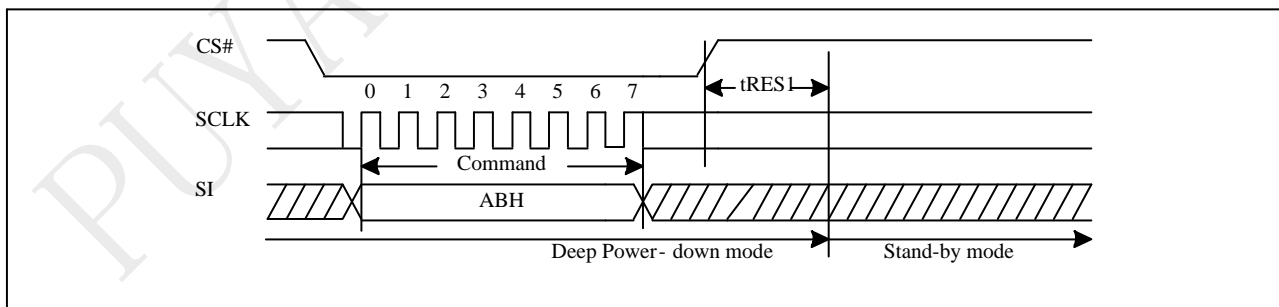


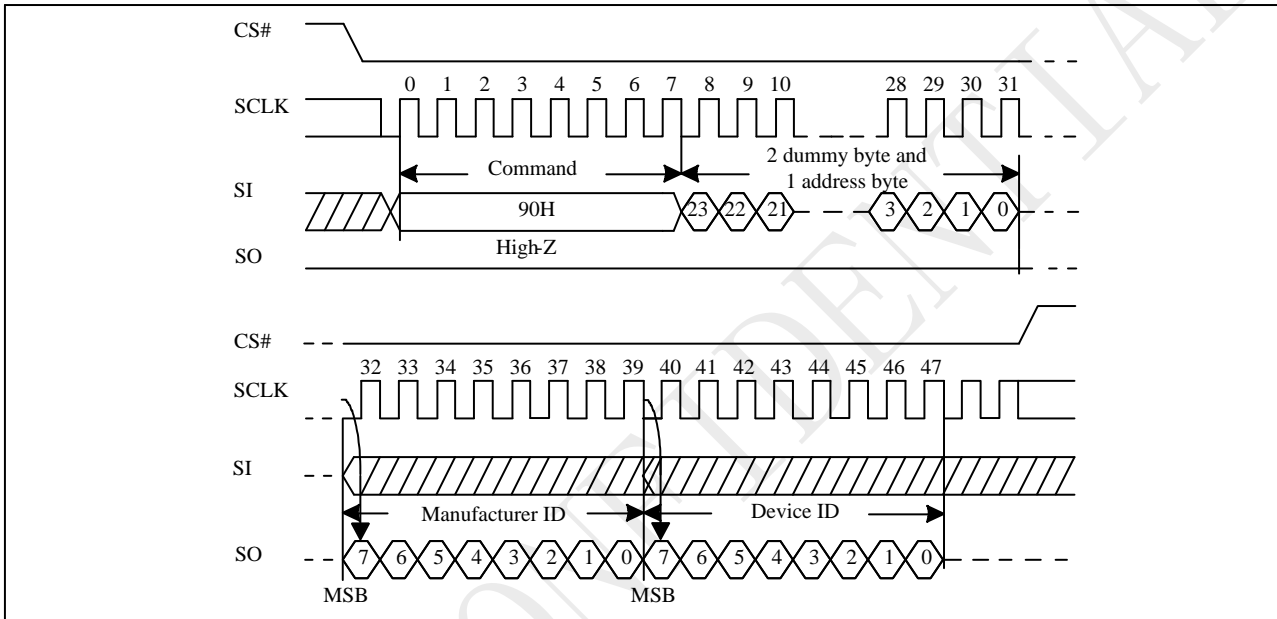
Figure 10-30 Release from Deep Power-down (RDP) Sequence (Command AB)



10.30 Read Electronic Manufacturer ID & Device ID (REMS)

The REMS instruction returns both the JEDEC assigned manufacturer ID and the device ID. The Device ID values are listed in "Table ID Definitions". The REMS instruction is initiated by driving the CS# pin low and sending the instruction code "90h" followed by two dummy bytes and one address byte (A7~A0). After which the manufacturer ID for PUYA (85h) and the device ID are shifted out on the falling edge of SCLK with the most significant bit (MSB) first. If the address byte is 00h, the manufacturer ID will be output first, followed by the device ID. If the address byte is 01h, then the device ID will be output first, followed by the manufacturer ID. While CS# is low, the manufacturer and device IDs can be read continuously, alternating from one to the other. The instruction is completed by driving CS# high.

Figure 10-31 Read Electronic Manufacturer & Device ID (REMS) Sequence (Command 90)

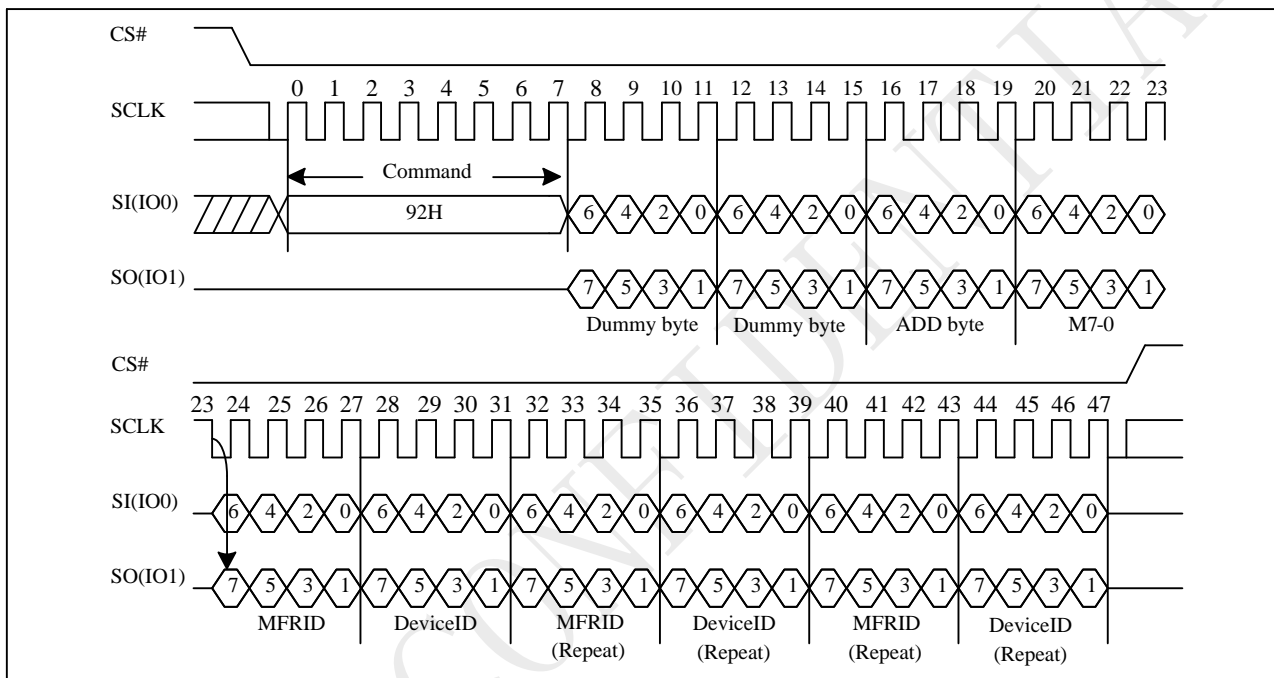


10.31 Dual I/O Read Electronic Manufacturer ID & Device ID (DREMS)

The DREMS instruction is similar to the REMS command and returns the JEDEC assigned manufacturer ID which takes two pins: SIO0, SIO1 as address input and ID output I/O

The instruction is initiated by driving the CS# pin low and shift the instruction code "92h" followed by two dummy bytes and one bytes address (A7~A0). After which, the Manufacturer ID for PUYA (85h) and the Device ID are shifted out on the falling edge of SCLK with most significant bit (MSB) first. If the one-byte address is initially set to 01h, then the device ID will be read first and then followed by the Manufacturer ID. The Manufacturer and Device IDs can be read continuously, alternating from one to the other. The instruction is completed by driving CS# high.

Figure 10-32 DUAL I/O Read Electronic Manufacturer & Device ID (DREMS) Sequence (Command 92)

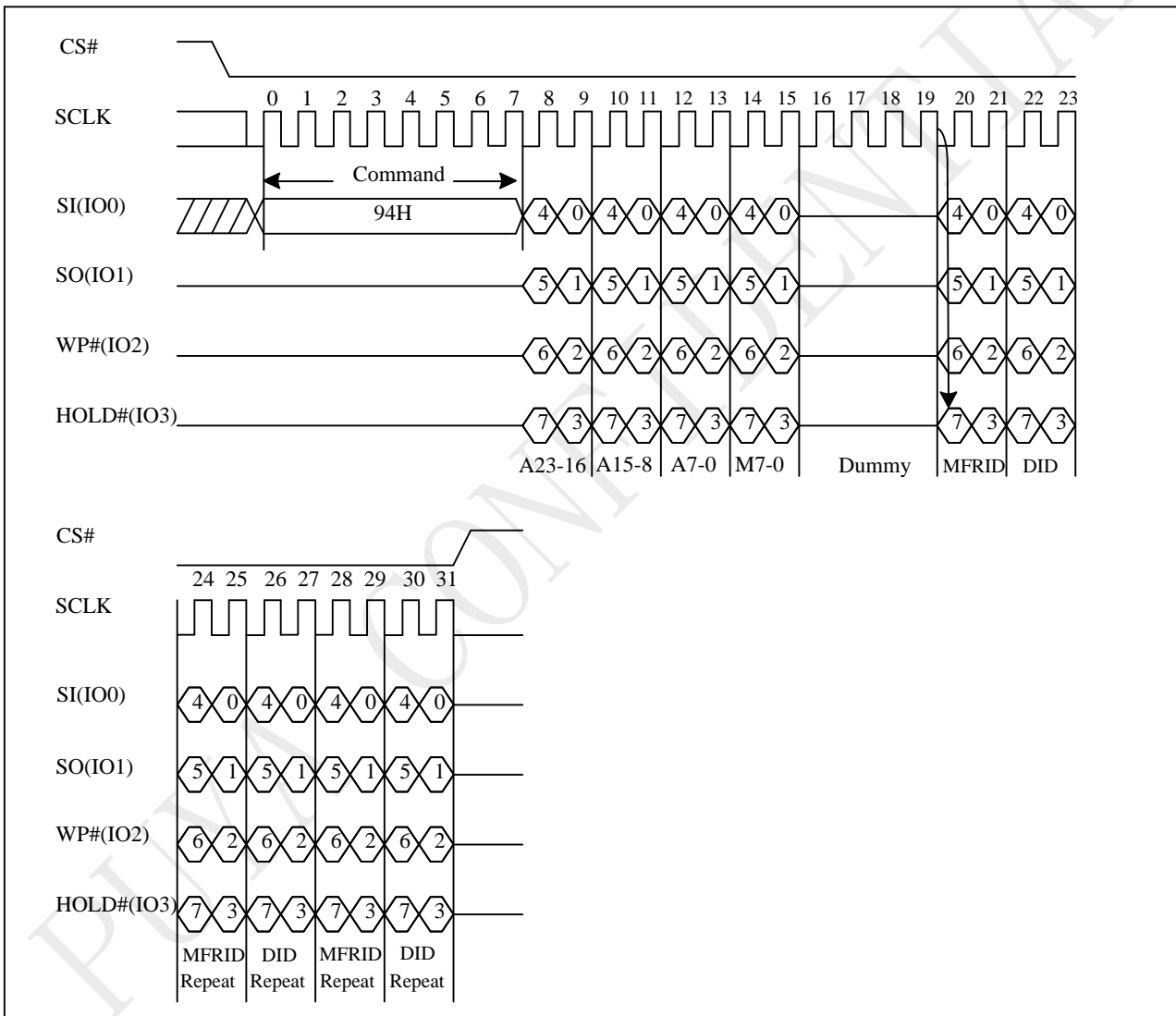


10.32 Quad I/O Read Electronic Manufacturer ID & Device ID (QREMS)

The QREMS instruction is similar to the REMS command and returns the JEDEC assigned manufacturer ID which takes four pins: SIO0, SIO1, SIO2, SIO3 as address input and ID output I/O

The instruction is initiated by driving the CS# pin low and shift the instruction code "94h" followed by two dummy bytes and one bytes address (A7~A0). After which, the Manufacturer ID for PUYA (85h) and the Device ID are shifted out on the falling edge of SCLK with most significant bit (MSB) first. If the one-byte address is initially set to 01h, then the device ID will be read first and then followed by the Manufacturer ID. The Manufacturer and Device IDs can be read continuously, alternating from one to the other. The instruction is completed by driving CS# high.

Figure 10-33 QUAD I/O Read Electronic Manufacturer & Device ID (QREMS) Sequence (Command 94)



10.33 Read Identification (RDID)

The RDID instruction is for reading the manufacturer ID of 1-byte and followed by Device ID of 2-byte. The PUYA Manufacturer ID and Device ID are list as "as "Table . ID Definitions".

The sequence of issuing RDID instruction is: CS# goes low → sending RDID instruction code → 24-bits ID data out on SO → to end RDID operation can use CS# to high at any time during data out.

While Program/Erase operation is in progress, it will not decode the RDID instruction, so there's no effect on the cycle of program/erase operation which is currently in progress. When CS# goes high, the device is at standby stage.

Figure 10-34 Read Identification (RDID) Sequence (Command 9F)

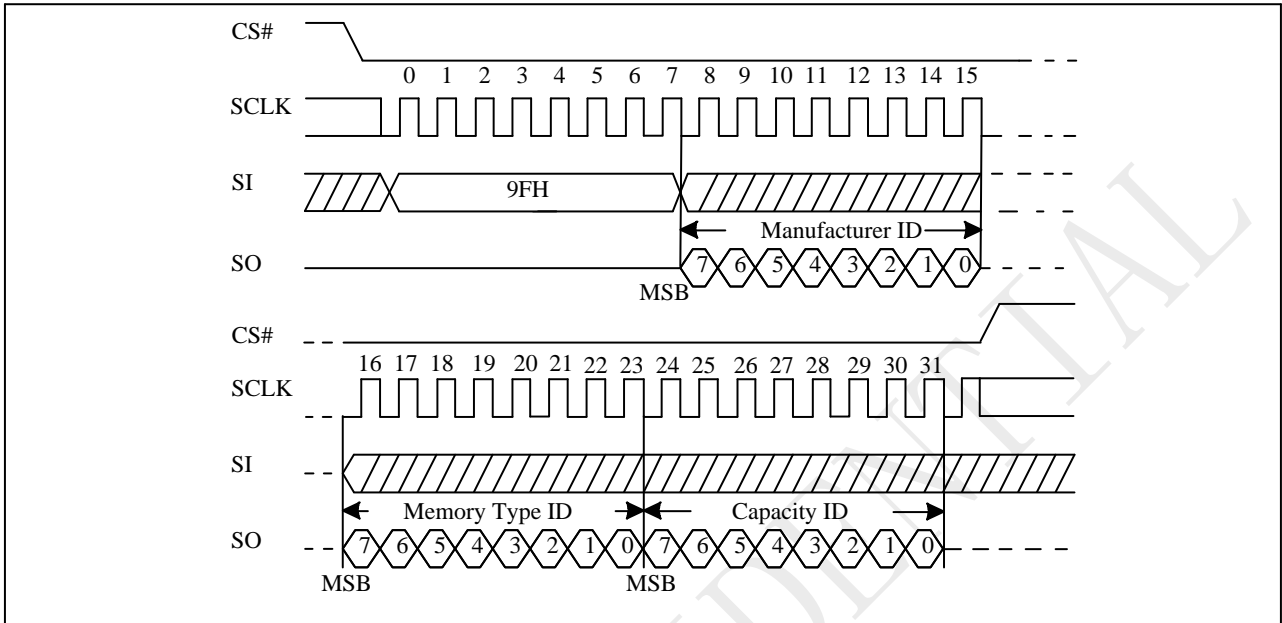


Table ID Definitions

| | | | | |
|-----------|--------------|-----------------|-------------|----------------|
| P25Q40H-Q | RDID command | manufacturer ID | memory type | memory density |
| | | 85 | 60 | 13 |
| | RES command | electronic ID | | |
| | | 12 | | |
| | REMS command | manufacturer ID | | device ID |
| | | 85 | | 12 |
| P25Q20H-Q | RDID command | manufacturer ID | memory type | memory density |
| | | 85 | 60 | 12 |
| | RES command | electronic ID | | |
| | | 11 | | |
| | REMS command | manufacturer ID | | device ID |
| | | 85 | | 11 |
| P25Q10H-Q | RDID command | manufacturer ID | memory type | memory density |
| | | 85 | 60 | 11 |
| | RES command | electronic ID | | |
| | | 10 | | |
| | REMS command | manufacturer ID | | device ID |
| | | 85 | | 10 |
| P25Q05H-Q | RDID command | manufacturer ID | memory type | memory density |
| | | 85 | 60 | 10 |
| | RES command | electronic ID | | |
| | | 09 | | |
| | REMS command | manufacturer ID | | device ID |
| | | 85 | | 09 |

10.34 Program/Erase Suspend/Resume

The Suspend instruction interrupts a Page Program, Sector Erase, or Block Erase operation to allow access to the memory array. After the program or erase operation has entered the suspended state, the memory array can be read except for the page being programmed or the sector or block being erased.

Readable Area of Memory While a Program or Erase Operation is Suspended

| Suspended Operation | Readable Region of Memory Array |
|---------------------|-------------------------------------|
| Page Program | All but the Page being programmed |
| Page Erase | All but the Page being erased |
| Sector Erase(4KB) | All but the 4KB Sector being erased |
| Block Erase(32KB) | All but the 32KB Block being erased |
| Block Erase(64KB) | All but the 64KB Block being erased |

When the Serial NOR Flash receives the Suspend instruction, there is a latency of tPSL or tESL before the Write Enable Latch (WEL) bit clears to "0" and the SUS2 or SUS1 sets to "1", after which the device is ready to accept one of the commands listed in "Table Acceptable Commands During Program/Erase Suspend after tPSL/tESL" (e.g. FAST READ). Refer to "AC Characteristics" for tPSL and tESL timings. "Table Acceptable Commands During Suspend (tPSL/tESL not required)" lists the commands for which the tPSL and tESL latencies do not apply. For example, RDSR, RDSCUR, RSTEN, and RST can be issued at any time after the Suspend instruction.

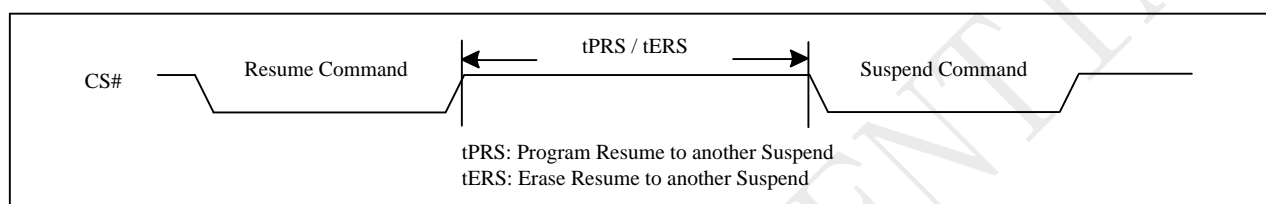
Status Register bit 15 (SUS2) and bit 10 (SUS1) can be read to check the suspend status. The SUS2 (Program Suspend Bit) sets to "1" when a program operation is suspended. The SUS1 (Erase Suspend Bit) sets to "1" when an erase operation is suspended. The SUS2 or SUS1 clears to "0" when the program or erase operation is resumed.

Acceptable Commands During Program/Erase Suspend after tPSL/tESL

| Command name | Command Code | Suspend Type | |
|--------------|--------------|-----------------|---------------|
| | | Program Suspend | Erase Suspend |
| READ | 03H | • | • |
| FAST READ | 0BH | • | • |
| DREAD | 3BH | • | • |
| QREAD | 6BH | • | • |
| 2READ | BBH | • | • |
| 4READ | EBH | • | • |
| RDSFDP | 5AH | • | • |
| RDID | 9FH | • | • |
| REMS | 90H | • | • |
| DREMS | 92H | • | • |
| QREMS | 94H | • | • |
| RDSCUR | 48H | • | • |
| SBL | 77H | • | • |
| WREN | 06H | | • |
| RESUME | 7AH OR 30H | • | • |
| PP | 02H | | • |
| DPP | A2H | | • |
| QPP | 32H | | • |

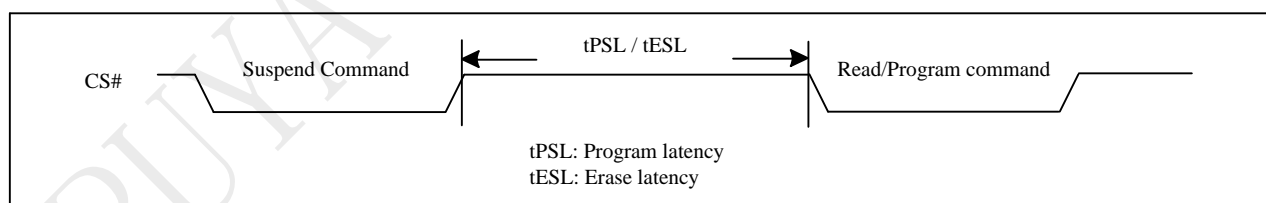
Acceptable Commands During Suspend (tPSL/tESL not required)

| Command name | Command Code | Suspend Type | |
|--------------|--------------|-----------------|---------------|
| | | Program Suspend | Erase Suspend |
| WRDI | 04H | • | • |
| RDSR | 05H | • | • |
| RDSR2 | 35H | • | • |
| ASI | 25H | • | • |
| RES | ABH | • | • |
| RSTEN | 66H | • | • |
| RST | 99H | • | • |
| NOP | 00H | • | • |

Figure 10-35 Resume to Suspend Latency**10.35 Erase Suspend to Program**

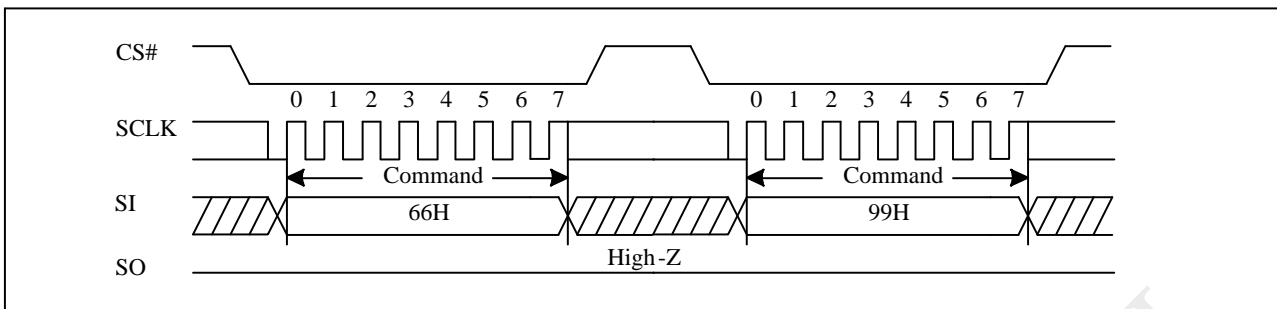
The “Erase Suspend to Program” feature allows Page Programming while an erase operation is suspended. Page Programming is permitted in any unprotected memory except within the sector of a suspended Sector Erase operation or within the block of a suspended Block Erase operation. The Write Enable (WREN) instruction must be issued before any Page Program instruction.

A Page Program operation initiated within a suspended erase cannot itself be suspended and must be allowed to finish before the suspended erase can be resumed. The Status Register can be polled to determine the status of the Page Program operation. The WEL and WIP bits of the Status Register will remain “1” while the Page Program operation is in progress and will both clear to “0” when the Page Program operation completes.

Figure 10-36 Suspend to Read/Program Latency**Notes:**

1. Please note that Program only available after the Erase-Suspend operation
2. To check suspend ready information, please read status register bit15 (SUS2) and bit10(SUS1)

Figure 10-39 Reset Sequence



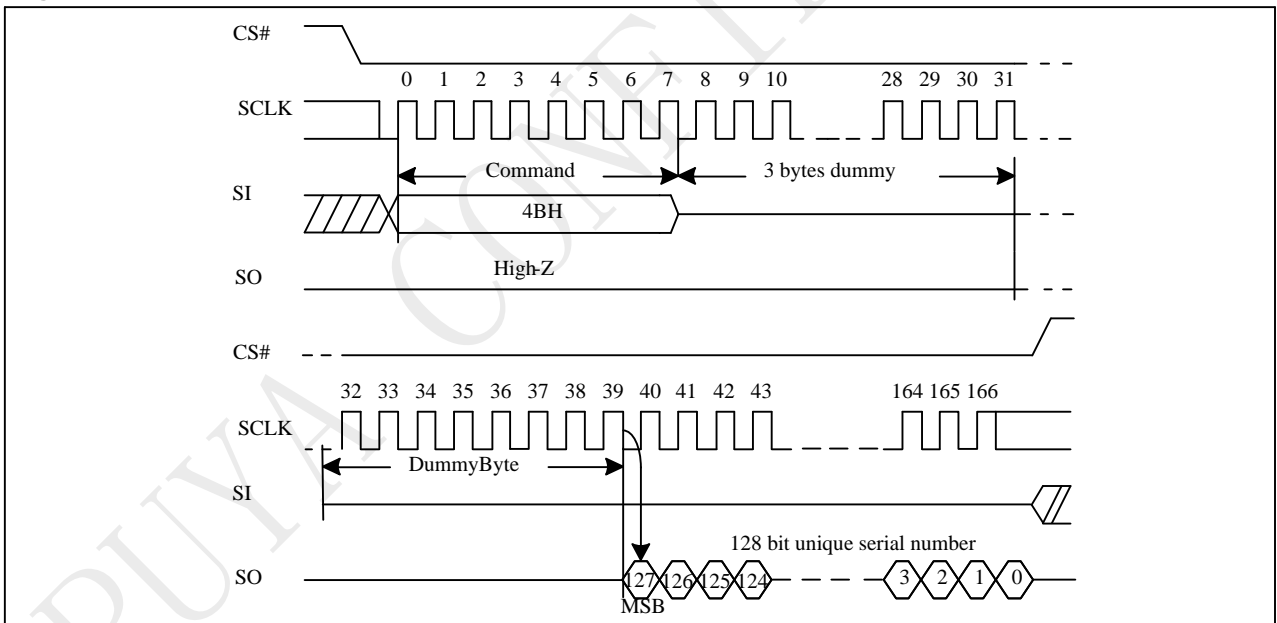
10.39 Read Unique ID (RUID)

The Read Unique ID command accesses a factory-set read-only 128bit number that is unique to each P25Qxx device. The Unique ID can be used in conjunction with user software methods to help prevent copying or cloning of a system.

The Read Unique ID command sequence: CS# goes low → sending Read Unique ID command → Dummy Byte1 → Dummy Byte2 → Dummy Byte3 → Dummy Byte4 → 128bit Unique ID Out → CS# goes high.

The command sequence is show below.

Figure 10-40 Read Unique ID (RUID) Sequence (Command 4B)



10.40 Read SFDP Mode (RDSFDP)

The Serial Flash Discoverable Parameter (SFDP) standard provides a consistent method of describing the functional and feature capabilities of serial flash devices in a standard set of internal parameter tables. These parameter tables can be interrogated by host system software to enable adjustments needed to accommodate divergent features from multiple vendors. The concept is similar to the one found in the Introduction of JEDEC Standard, JESD68 on CFI.

The sequence of issuing RDSFDP instruction is same as FAST_READ: CS# goes low → send RDSFDP instruction (5Ah) → send 3 address bytes on SI pin → send 1 dummy byte on SI pin → read SFDP code on SO → to end RDSFDP operation can use CS# to high at any time during data out.

SFDP is a JEDEC Standard, JESD216B.

Figure 10-41 Read Serial Flash Discoverable Parameter (RDSFDP) Sequence

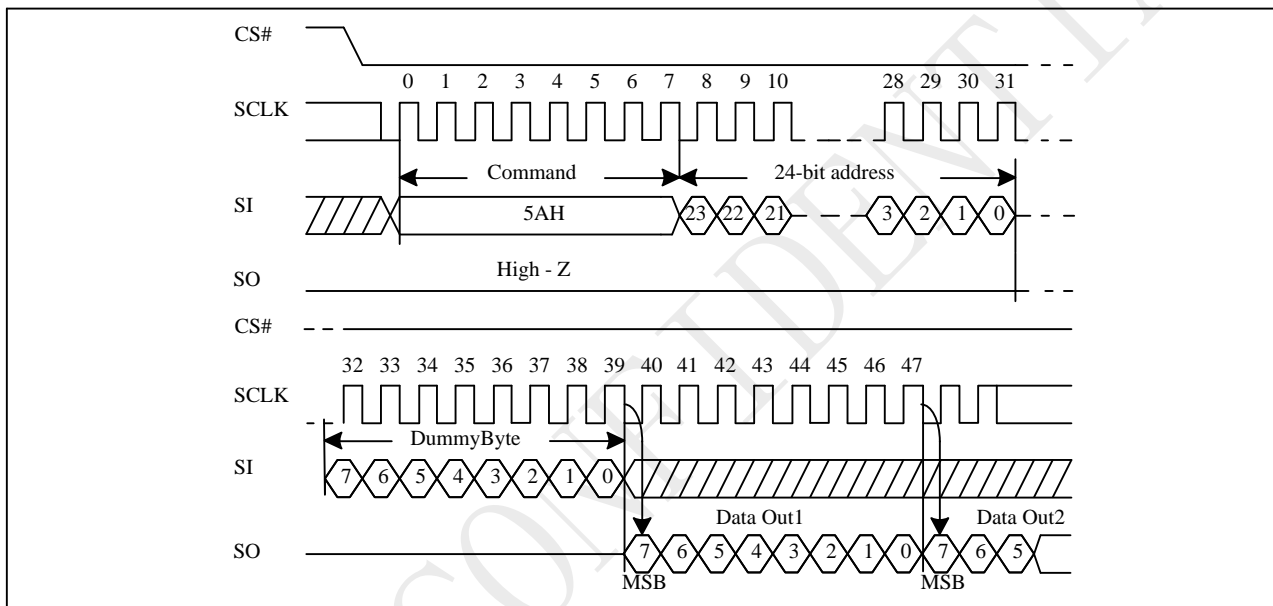


Figure 10-42 Serial Flash Discoverable Parameter (SFDP) Table

Table Signature and Parameter Identification Data Values

| Description | Comment | Add(H) (Byte) | DW Add (Bit) | Data | Data |
|---|--|------------------|-----------------|------|------|
| SFDP Signature | Fixed:50444653H | 00H | 07:00 | 53H | 53H |
| | | 01H | 15:08 | 46H | 46H |
| | | 02H | 23:16 | 44H | 44H |
| | | 03H | 31:24 | 50H | 50H |
| SFDP Minor Revision Number | Start from 00H | 04H | 07:00 | 00H | 00H |
| SFDP Major Revision Number | Start from 01H | 05H | 15:08 | 01H | 01H |
| Number of Parameters Headers | Start from 00H | 06H | 23:16 | 01H | 01H |
| Unused | Contains 0xFFH and can never be changed | 07H | 31:24 | FFH | FFH |
| ID number (JEDEC) | 00H: It indicates a JEDEC specified header | 08H | 07:00 | 00H | 00H |
| Parameter Table Minor Revision Number | Start from 0x00H | 09H | 15:08 | 00H | 00H |
| Parameter Table Major Revision Number | Start from 0x01H | 0AH | 23:16 | 01H | 01H |
| Parameter Table Length (in double word) | How many DWORDs in the Parameter table | 0BH | 31:24 | 09H | 09H |
| Parameter Table Pointer (PTP) | First address of JEDEC Flash Parameter table | 0CH | 07:00 | 30H | 30H |
| | | 0DH | 15:08 | 00H | 00H |
| | | 0EH | 23:16 | 00H | 00H |
| Unused | Contains 0xFFH and can never be changed | 0FH | 31:24 | FFH | FFH |
| ID Number (PUYADevice Manufacturer ID) | It is indicates PUYA manufacturer ID | 10H | 07:00 | 85H | 85H |
| Parameter Table Minor Revision Number | Start from 0x00H | 11H | 15:08 | 00H | 00H |
| Parameter Table Major Revision Number | Start from 0x01H | 12H | 23:16 | 01H | 01H |
| Parameter Table Length (in double word) | How many DWORDs in the Parameter table | 13H | 31:24 | 03H | 03H |
| Parameter Table Pointer (PTP) | First address of PUYA Flash Parameter table | 14H | 07:00 | 60H | 60H |
| | | 15H | 15:08 | 00H | 00H |
| | | 16H | 23:16 | 00H | 00H |
| Unused | Contains 0xFFH and can never be changed | 17H | 31:24 | FFH | FFH |

Table Parameter Table (0): JEDEC Flash Parameter Tables

| Description | Comment | Add(H) (Byte) | DW Add (Bit) | Data | Data |
|---|--|------------------|-----------------|------------|------|
| Block/Sector Erase Size | 00: Reserved; 01: 4KB erase; 10: Reserved; 11: not support 4KB erase | 30H | 01:00 | 01b | E5H |
| Write Granularity | 0: 1Byte, 1: 64Byte or larger | | 02 | 1b | |
| Write Enable Instruction Requested for Writing to Volatile Status Registers | 0: Nonvolatile status bit 1: Volatile status bit (BP status register bit) | | 03 | 0b | |
| Write Enable Opcode Select for Writing to Volatile Status Registers | 0: Use 50H Opcode, 1: Use 06H Opcode, Note: If target flash status register is Nonvolatile, then bits3 and 4 must be set to 00b. | | 04 | 0b | |
| Unused | Contains 111b and can never be changed | | 07:05 | 111b | |
| 4KB Erase Opcode | | 31H | 15:08 | 20H | 20H |
| (1-1- 2) Fast Read | 0=Not support, 1=Support | 32H | 16 | 1b | F1H |
| Address Bytes Number used in addressing flash array | 00: 3Byte only, 01: 3 or 4Byte, 10: 4Byte only, 11: Reserved | | 18:17 | 00b | |
| Double Transfer Rate (DTR) clocking | 0=Not support, 1=Support | | 19 | 0b | |
| (1-2- 2) FastRead | 0=Not support, 1=Support | | 20 | 1b | |
| (1-4- 4) Fast Read | 0=Not support, 1=Support | | 21 | 1b | |
| (1-1- 4) Fast Read | 0=Not support, 1=Support | | 22 | 1b | |
| Unused | | | 23 | 1b | |
| Unused | | | 33H | 31:24 | |
| Flash Memory Density | | 37H:34H | 31:00 | 003FFFFFFH | |
| (1-4- 4) Fast Read Number of Wait states | 0 0000b: Wait states (Dummy Clocks) not support | 38H | 04:00 | 00100b | 44H |
| (1-4- 4) Fast Read Number of Mode Bits | 000b:Mode Bits not support | | 07:05 | 010b | |
| (1-4- 4) Fast Read Opcode | | 39H | 15:08 | EBH | EBH |
| (1-1- 4) Fast Read Number of Wait states | 0 0000b: Wait states (Dummy Clocks) not support | 3AH | 20:16 | 01000b | 08H |
| (1-1- 4) Fast Read Number of Mode Bits | 000b:Mode Bits not support | | 23:21 | 000b | |
| (1-1- 4) Fast Read Opcode | | 3BH | 31:24 | 6BH | 6BH |

| Description | Comment | Add(H) (Byte) | DW Add (Bit) | Data | Data |
|---|---|------------------|-----------------|--------|-------|
| (1-1-2) Fast Read Number of Wait states | 0 0000b: Wait states (Dummy Clocks) not support | 3CH | 04:00 | 01000b | 08H |
| (1-1-2) Fast Read Number of Mode Bits | 000b: Mode Bits not support | | 07:05 | 000b | |
| (1-1-2) Fast Read Opcode | | 3DH | 15:08 | 3BH | 3BH |
| (1-2-2) Fast Read Number of Wait states | 0 0000b: Wait states (Dummy Clocks) not support | 3EH | 20:16 | 00000b | 80H |
| (1-2-2) Fast Read Number of Mode Bits | 000b: Mode Bits not support | | 23:21 | 100b | |
| (1-2-2) Fast Read Opcode | | 3FH | 31:24 | BBH | BBH |
| (2-2-2) Fast Read | 0=not support 1=support | 40H | 00 | 0b | EEH |
| Unused | | | 03:01 | 111b | |
| (4-4-4) Fast Read | 0=not support 1=support | | 04 | 0b | |
| Unused | | | 07:05 | 111b | |
| Unused | | 43H:41H | 31:08 | 0xFFH | 0xFFH |
| Unused | | 45H:44H | 15:00 | 0xFFH | 0xFFH |
| (2-2-2) Fast Read Number of Wait states | 0 0000b: Wait states (Dummy Clocks) not support | 46H | 20:16 | 00000b | 00H |
| (2-2-2) Fast Read Number of Mode Bits | 000b: Mode Bits not support | | 23:21 | 000b | |
| (2-2-2) Fast Read Opcode | | 47H | 31:24 | FFH | FFH |
| Unused | | 49H:48H | 15:00 | 0xFFH | 0xFFH |
| (4-4-4) Fast Read Number of Wait states | 0 0000b: Wait states (Dummy Clocks) not support | 4AH | 20:16 | 00000b | 00H |
| (4-4-4) Fast Read Number of Mode Bits | 000b: Mode Bits not support | | 23:21 | 000b | |
| (4-4-4) Fast Read Opcode | | 4BH | 31:24 | FFH | FFH |
| Sector Type 1 Size | Sector/block size=2 ^N bytes 0x00b: this sector type don't exist | 4CH | 07:00 | 0CH | 0CH |
| Sector Type 1 erase Opcode | | 4DH | 15:08 | 20H | 20H |
| Sector Type 2 Size | Sector/block size=2 ^N bytes 0x00b: this sector type don't exist | 4EH | 23:16 | 0FH | 0FH |
| Sector Type 2 erase Opcode | | 4FH | 31:24 | 52H | 52H |
| Sector Type 3 Size | Sector/block size=2 ^N bytes 0x00b: this sector type don't exist | 50H | 07:00 | 10H | 10H |
| Sector Type 3 erase Opcode | | 51H | 15:08 | D8H | D8H |
| Sector Type 4 Size | Sector/block size=2 ^N bytes 0x00b: this sector type don't exist | 52H | 23:16 | 08H | 08H |
| Sector Type 4 erase Opcode | | 53H | 31:24 | 81H | 81H |

Table Parameter Table (1): PUYA Flash Parameter Tables

| Description | Comment | Add(H) (Byte) | DW Add (Bit) | Data | Data |
|---|--|------------------|-----------------|---------------------|-------|
| Vcc Supply Maximum Voltage | 2000H=2.000V 2700H=2.700V 3600H=3.600V | 61H:60H | 15:00 | 3600H | 3600H |
| Vcc Supply Minimum Voltage | 1650H=1.650V 2250H=2.250V 2350H=2.350V 2700H=2.700V | 63H:62H | 31:16 | 2300H | 2300H |
| HW Reset# pin | 0=not support 1=support | 65H:64H | 00 | 0b | F99EH |
| HW Hold# pin | 0=not support 1=support | | 01 | 1b | |
| Deep Power Down Mode | 0=not support 1=support | | 02 | 1b | |
| SW Reset | 0=not support 1=support | | 03 | 1b | |
| SW Reset Opcode | Should be issue Reset Enable(66H) before Reset cmd. | | 11:04 | 1001 1001b (99H) | |
| Program Suspend/Resume | 0=not support 1=support | | 12 | 1b | |
| Erase Suspend/Resume | 0=not support 1=support | | 13 | 1b | |
| Unused | | | 14 | 1b | |
| Wrap Around Read mode | 0=not support 1=support | | 15 | 1b | |
| Wrap - Around Read mode Opcode | | | 66H | 23:16 | |
| Wrap - Around Read data length | 08H:support 8B wraparound read 16H:8B&16B 32H:8B&16B&32B 64H:8B&16B&32B&64B | 67H | 31:24 | 64H | 64H |
| Individual block lock | 0=not support 1=support | 6BH:68H | 00 | 0b | CBFCH |
| Individual block lock bit (Volatile/Nonvolatile) | 0=Volatile 1=Nonvolatile | | 01 | 0b | |
| Individual block lock Opcode | | | 09:02 | FFH | |
| Individual blocklock Volatile protect bit default protect status | 0=protect 1=unprotect | | 10 | 0b | |
| Secured OTP | 0=not support 1=support | | 11 | 1b | |
| Read Lock | 0=not support 1=support | | 12 | 0b | |
| Permanent Lock | 0=not support 1=support | | 13 | 0b | |
| Unused | | | 15:14 | 11b | |
| Unused | | | | 31:16 | |

11 Ordering Information

P 25 Q 40 H A - SS H - I T - x

Company Designator

P = Puya Semiconductor

Product Family

25 = SPI interface flash

Product Serial

Q = Q serial

Memory Density

40 = 4Mbit
 20 = 2Mbit
 10 = 1Mbit
 05 = 512Kbit

Operation Voltage

H = 2.3V ~ 3.6V

Generation

A = A Version Default = blank

Package Type

SS = SOP8 150mil UX = USON8 3x2x0.55mm
 WF = WAFER

Plating Technology

H: RoHS Compliant, Halogen - free, Antimony- free

Device Grade

I = -40 ~ 85C
 K = -40 ~ 105C

Packing Type

T = TUBE
 R = TAPE & REEL
 Y = Tray
 W = WAFER

Ordering Option

Default = blank
 Q = Typ. page program time reduce to 0.6ms

12 Valid Part Numbers and Top Marking

The following table provides the valid part numbers for the P25Q40H/20H/10H/05H-Q Flash Memory. Please contact PUYA for specific availability by density and package type. PUYA Flash memories use a 14-digit Product Number for ordering.

4M bit Flash Valid Part Number

| Package Type | Product Number | Density | Top Side Marking | Temp. | Packing Type |
|------------------------|------------------|---------|--------------------|-------|--------------|
| SS SOP8 150mil | P25Q40H-SSH-IT-Q | 4M-bit | P25Q40H xxxxxxx | 85C | Tube |
| SS SOP8 150mil | P25Q40H-SSH-IR-Q | 4M-bit | P25Q40H xxxxxxx | 85C | Reel |
| UX USON8 3x2x0.55mm | P25Q40H UXH-IR-Q | 4M-bit | PQ40 xxxx | 85C | Reel |

2M bit Flash Valid Part Number

| Package Type | Product Number | Density | Top Side Marking | Temp. | Packing Type |
|------------------------|------------------|---------|--------------------|-------|--------------|
| SS SOP8 150mil | P25Q20H-SSH-IT-Q | 2M-bit | P25Q20H xxxxxxx | 85C | Tube |
| SS SOP8 150mil | P25Q20H-SSH-IR-Q | 2M-bit | P25Q20H xxxxxxx | 85C | Reel |
| UX USON8 3x2x0.55mm | P25Q20H UXH-IR-Q | 2M-bit | PQ20 xxxx | 85C | Reel |

1M bit Flash Valid Part Number

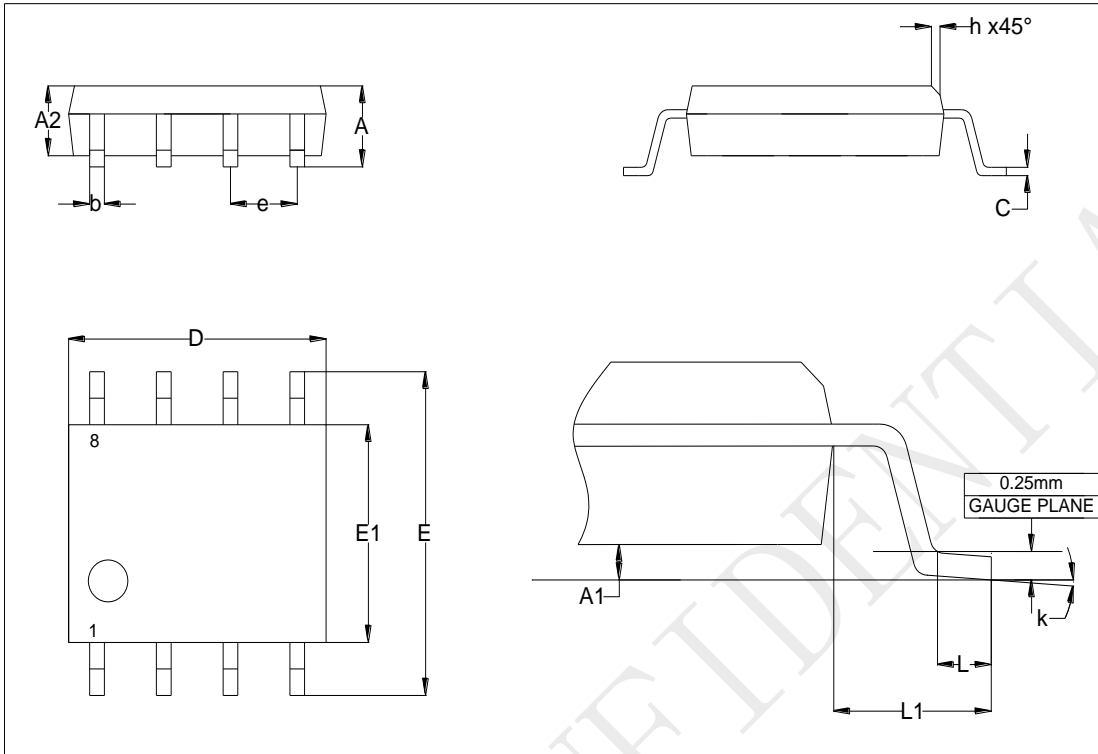
| Package Type | Product Number | Density | Top Side Marking | Temp. | Packing Type |
|------------------------|------------------|---------|--------------------|-------|--------------|
| SS SOP8 150mil | P25Q10H-SSH-IT-Q | 1M-bit | P25Q10H xxxxxxx | 85C | Tube |
| SS SOP8 150mil | P25Q10H-SSH-IR-Q | 1M-bit | P25Q10H xxxxxxx | 85C | Reel |
| UX USON8 3x2x0.55mm | P25Q10H UXH-IR-Q | 1M-bit | PQ10 xxxx | 85C | Reel |

512K bit Flash Valid Part Number

| Package Type | Product Number | Density | Top Side Marking | Temp. | Packing Type |
|------------------------|------------------|----------|--------------------|-------|--------------|
| SS SOP8 150mil | P25Q05H-SSH-IT-Q | 512K-bit | P25Q05H xxxxxxx | 85C | Tube |
| SS SOP8 150mil | P25Q05H-SSH-IR-Q | 512K-bit | P25Q05H xxxxxxx | 85C | Reel |
| UX USON8 3x2x0.55mm | P25Q05H UXH-IR-Q | 512K-bit | PQ05 xxxx | 85C | Reel |

13 Package Information

13.1 8-Lead SOP(150mil)



Common Dimensions
(Unit of Measure=millimeters)

| Symbol | Min | Typ | Max |
|--------|-------|-------|-------|
| A | - | - | 1.750 |
| A1 | 0.100 | - | 0.250 |
| A2 | 1.250 | - | - |
| b | 0.280 | - | 0.480 |
| c | 0.170 | - | 0.230 |
| D | 4.800 | 4.900 | 5.000 |
| E | 5.800 | 6.000 | 6.200 |
| E1 | 3.800 | 3.900 | 4.000 |
| e | - | 1.270 | - |
| h | 0.250 | - | 0.500 |
| k | 0° | - | 8° |
| L | 0.400 | - | 1.270 |
| L1 | - | 1.040 | - |

Note: 1. D im ensions are not to scale

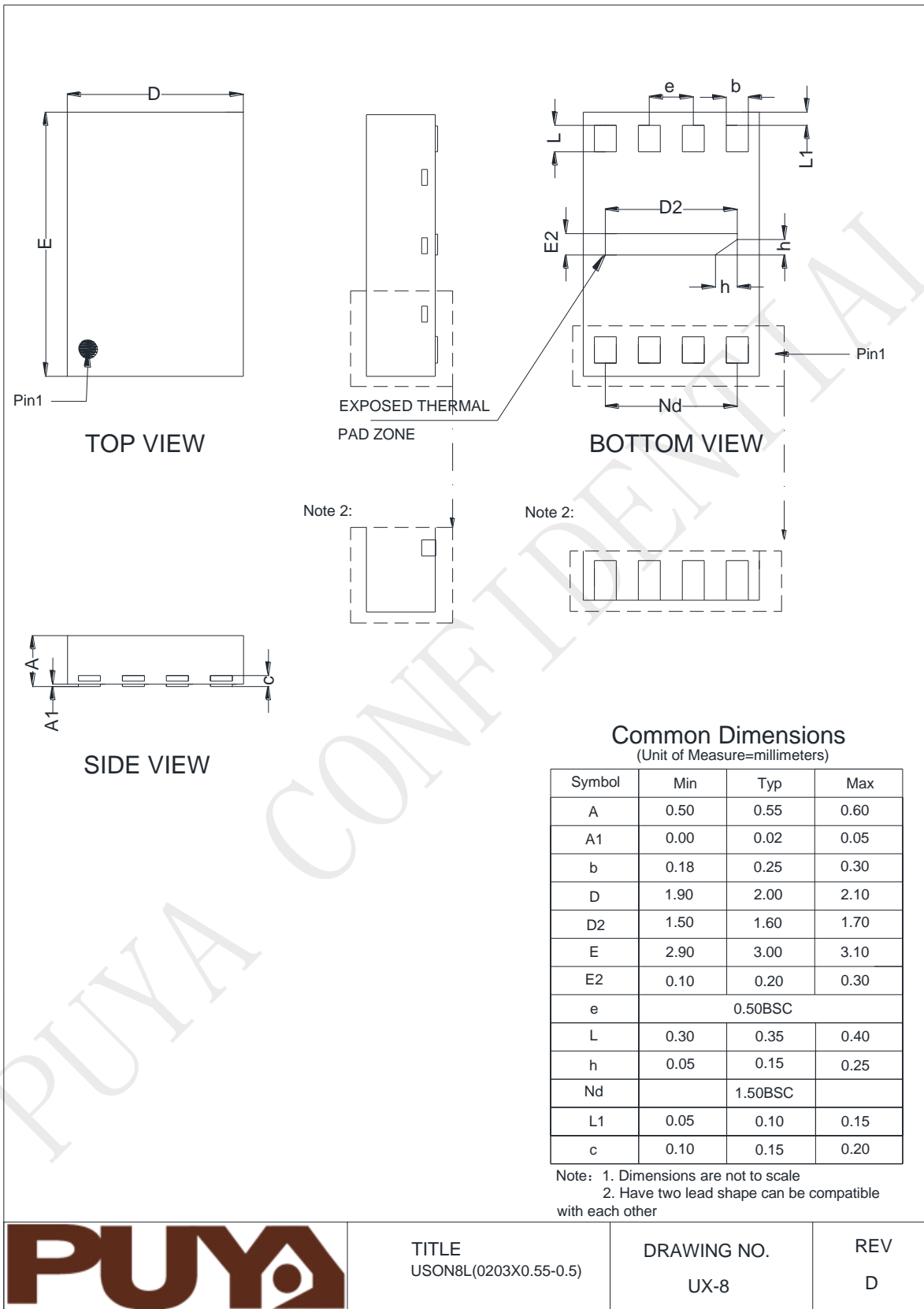


TITLE
8-lead SOP

DRAWING NO.
SP-8

REV
A

13.2 8-Land USON(3x2x0.55mm)



14 Revision History

| Rev. | Date | Description | Author |
|------|-------------|-------------------------|--------|
| V1.0 | 2020--04-27 | V1.0 datasheet | cyx |
| V1.1 | 2021--10-27 | Add USON 3x2x0.55mm POD | - |



Puya Semiconductor Co., Ltd.

IMPORTANT NOTICE

Puya Semiconductor reserves the right to make changes without further notice to any products or specifications herein. Puya Semiconductor does not assume any responsibility for use of any its products for any particular purpose, nor does Puya Semiconductor assume any liability arising out of the application or use of any its products or circuits. Puya Semiconductor does not convey any license under its patent rights or other rights nor the rights of others.